

Hi-Q Components

Hi-Q Electronics Ltd, PO Box 302 015, North Harbour, Auckland, New Zealand Ph + 64 9 415 3333 Fax + 64 9 415 8686

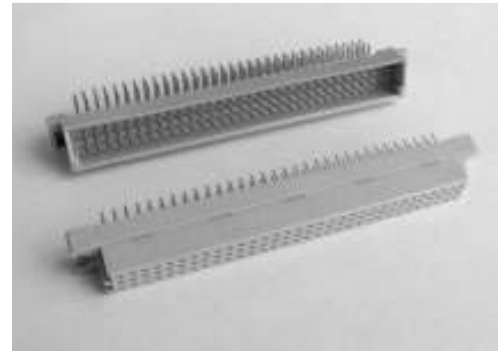
Din 41612 C Type (3 Row)

2.54 & 5.08 mm Pitch

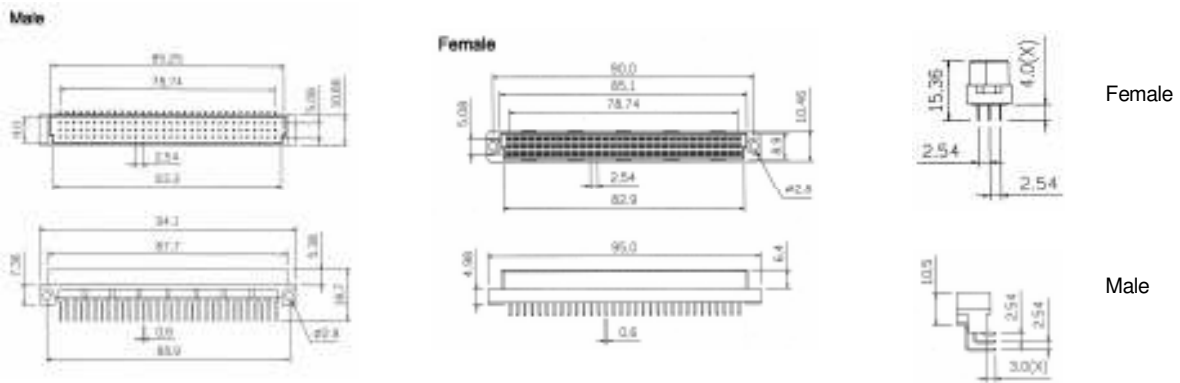
- ★ Current Rating: 2A
- ★ Voltage Rating: 250 VACrms 60Hz
- ★ Current Rating: 2A
- ★ Contact Resistance: 30 milliohm max. at 1 amp DC
- ★ Insulation Resistance: 1000 megohms at 500 VDC.
- ★ Dielectric : 1000 VAC rms 60Hz for 1 min.
- ★ Contacts: Female : Phosphor bronze full gold.
Male : Brass
- ★ Housing: Glass filled thermoplastic UL94VO rated

Part No 32-146 xx

xx = No of Contacts, 64 or 96 @ 2.54mm pitch



Other sizes available on request



Din 41612 R Type (3 Row)

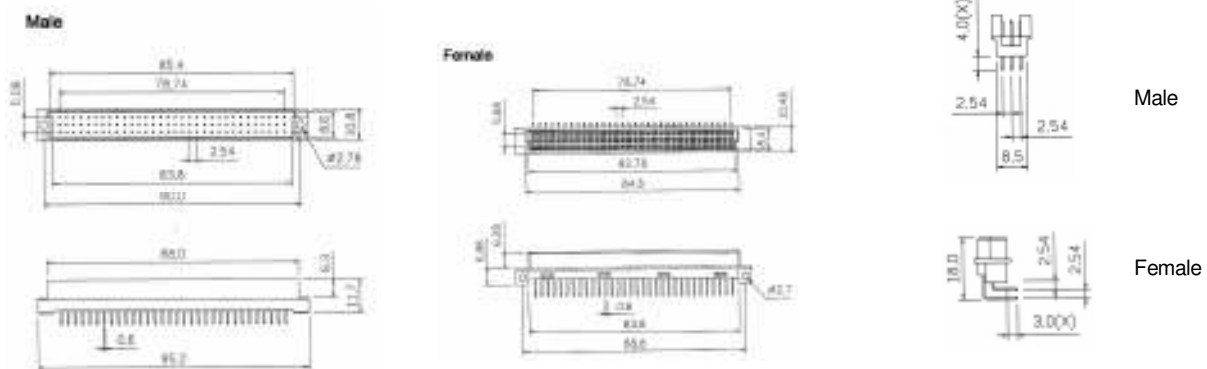
- ★ Current Rating: 2A
- ★ Voltage Rating: 250 VACrms 60Hz
- ★ Current Rating: 2A
- ★ Contact Resistance: 30 milliohm max. at 1 amp DC
- ★ Insulation Resistance: 1000 megohms at 500 VDC.
- ★ Dielectric : 1000 VAC rms 60Hz for 1 min.
- ★ Contacts: Female : Phosphor bronze full gold
Male : Brass
- ★ Housing: Glass filled thermoplastic UL94VO rated

Part No 32-147 xx

xx = No of Contacts, 64 or 96 @ 2.54mm pitch



Other sizes available on request



Hi-Q Components

Hi-Q Electronics Ltd, PO Box 302 015, North Harbour, Auckland, New Zealand Ph + 64 9 415 3333 Fax + 64 9 415 8686

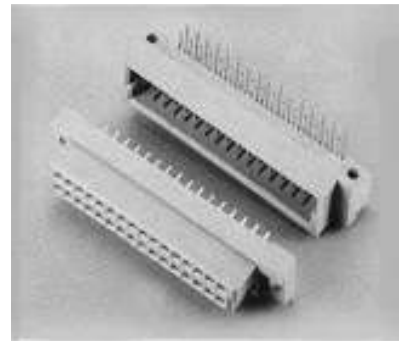
Din 41612 B/2 Type (2 Row)

- ★ Current Rating: 2A
- ★ Voltage Rating: 250 VACrms 60Hz
- ★ Current Rating: 2A
- ★ Contact Resistance: 30 milliohm max. at 1 amp DC
- ★ Insulation Resistance: 1000 megohms at 500 VDC.
- ★ Dielectric : 1000 VAC rms 60Hz for 1 min.
- ★ Contacts: Female : Phosphor bronze full gold
Male : Brass
- ★ Housing: Glass filled thermoplastic UL94VO rated

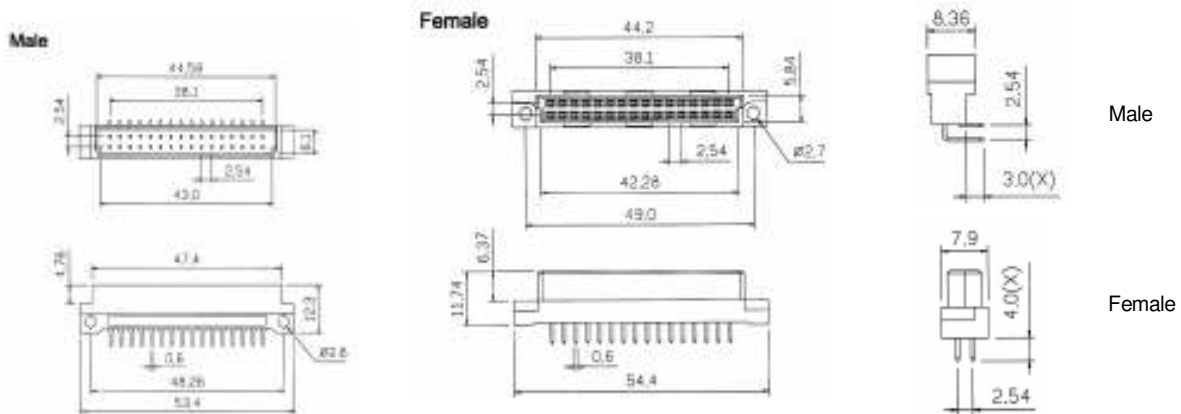
Part No 32-148 xx

xx = No of Contacts, 16 or 32 @ 2.54mm pitch

2.54 & 5.08 mm Pitch



Other sizes available on request



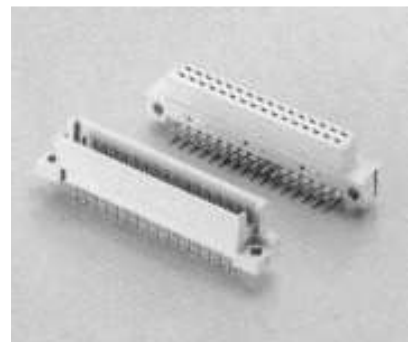
Din 41612 Q/2 Type (2 Row)

- ★ Current Rating: 2A
- ★ Voltage Rating: 250 VACrms 60Hz
- ★ Current Rating: 2A
- ★ Contact Resistance: 30 milliohm max. at 1 amp DC
- ★ Insulation Resistance: 1000 megohms at 500 VDC.
- ★ Dielectric : 1000 VAC rms 60Hz for 1 min.
- ★ Contacts: Female : Phosphor bronze full gold
Male : Brass
- ★ Housing: Glass filled thermoplastic UL94VO rated

Part No 32-149 xx

xx = No of Contacts, 16 or 32 @ 2.54mm pitch

2.54 & 5.08 mm Pitch



Other sizes available on request

