

# Hi-Q Components

Hi-Q Electronics Ltd, PO Box 302 015, North Harbour, Auckland, New Zealand Ph + 64 9 415 3333 Fax + 64 9 415 8686

## Barrier Type - DT35 Series

8.25mm Pitch

20A

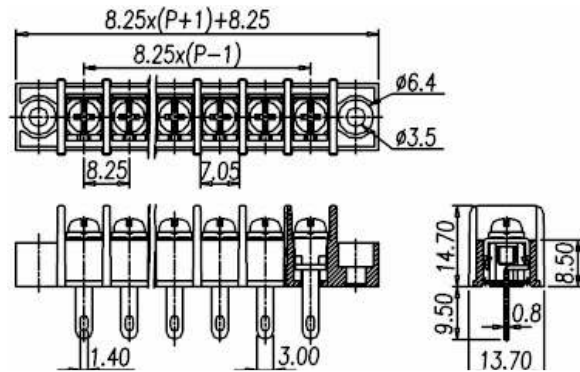
### Feed Through Solder Tag Type

Rating : 300V / 20A Wire size 22 ~ 12 AWG  
 Insulation Breakdown Volts : 2000VAC / Min  
 Operating Temp. Range : -40°C ~ +105°C  
 Materials : Polamide Housing, UL94VO, Black  
 Terminals : Brass 0.8 x 3.0mm, tin plated  
 Screw : M4 Steel Nickel Plated  
 Screw Torque Value : 10 Kg-cm

Part No. 32-DT35A02W-xx

xx = No of Poles

( 2, 3, 4, 5, 6, 7, 8, 9, 10 & 12 pole)



Part No.	Pitch A	Current Rating
32-DT35A02W-xx	8.25	20A

## Barrier Type - DT35 Series

8.25mm Pitch

20A

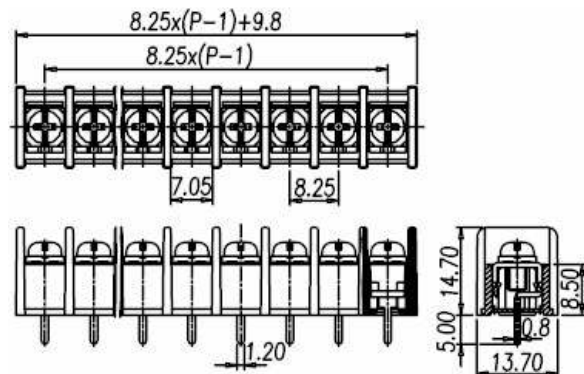
### PCB Mount - Centre Pin

Offset Pin also available with B07 Series  
 Rating : 300V / 20A Wire size 22 ~ 12 AWG  
 Insulation Breakdown Volts : 2000VAC / Min  
 Operating Temp. Range : -40°C ~ +105°C  
 Materials : Polamide Housing, UL94VO, Black  
 Terminals : Brass 0.8 x 3.0mm, tin plated  
 Screw : M4 Steel Nickel Plated  
 Screw Torque Value : 10 Kg-cm

Part No. 32-DT35B01W-xx

xx = No of Poles

( 2, 3, 4, 5, 6, 7, 8, 9, 10 & 12 pole)



Part No.	Pitch A	Current Rating
32-DT35B01W-xx	8.25	20A

## Barrier Type - DT35 Series

8.25mm Pitch

20A

For Marine Applications - Reduce corrosion with Brass Screws

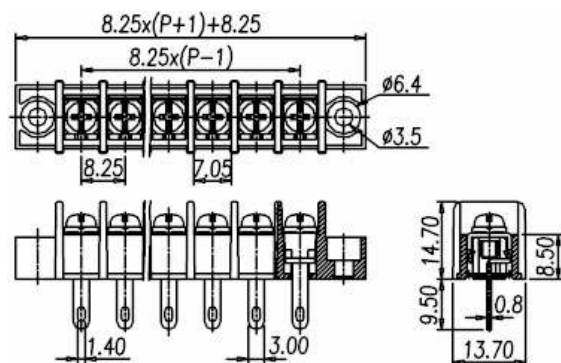
### Feed Through Solder Tag Type

Rating : 300V / 20A Wire size 22 ~ 12 AWG  
 Insulation Breakdown Volts : 2000VAC / Min  
 Operating Temp. Range : -40°C ~ +105°C  
 Materials : Polamide Housing, UL94VO, Black  
 Terminals : Brass 0.8 x 3.0mm, tin plated  
 Screw : M4 Brass Nickel Plated  
 Screw Torque Value : 10 Kg-cm

Part No. 32-DT35A02B-xx

xx = No of Poles

( 2, 3, 4, 5, 6, 7, 8, 9, 10 & 12 pole)



Part No.	Pitch A	Current Rating
32-DT35A02B-xx	8.25	20A

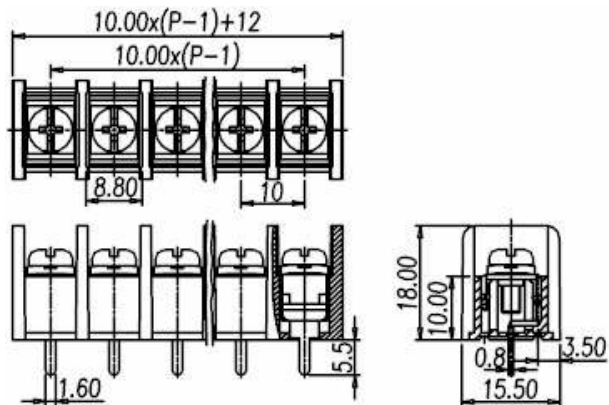
# Hi-Q Components

Hi-Q Electronics Ltd, PO Box 302 015, North Harbour, Auckland, New Zealand Ph + 64 9 415 3333 Fax + 64 9 415 8686

## Barrier Type - DT55 Series 10mm Pitch 25A PCB Mount - Centre Pin

Offset Pin also available with B06 Series  
Rating : 300V / 25A . Wire size 22 ~ 12 AWG  
Insulation Breakdown Volts : 2000VAC / Min  
Operating Temp. Range : -40°C ~ +105°C  
Materials : Polyamid Housing, UL94VO, Black  
Pins : Brass 0.8x1.6mm tin plated  
Screw : M3.5 Steel, Nickel Plated  
Screw Torque Value : 10 Kg-cm

Part No. 32-DT55B01W-xx  
xx = No of Poles  
( 2, 3, 4, 5, 6, 7, 8, 9, 10 & 12 pole)

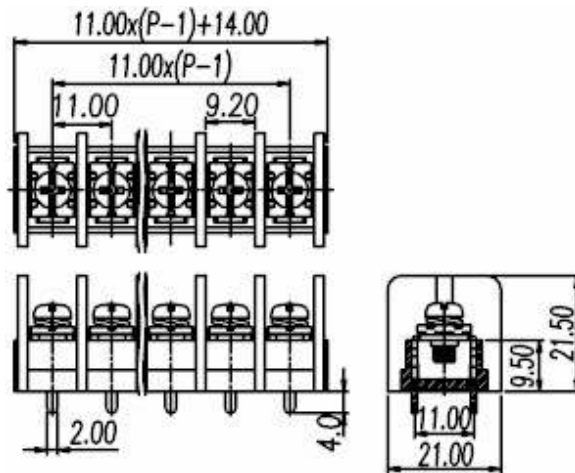


Part No.	Pitch A	Current Rating
32-DT55B01W-xx	10.0	25A

## Barrier Type - DT66 Series 11mm Pitch 40A PCB Mount - Dual Pin

Rating : 600V / 40A . Wire size 18 ~ 10 AWG  
Insulation Breakdown Volts : 2000VAC / Min  
Operating Temp. Range : -40°C ~ +130°C  
Materials : Polyester Housing, UL94VO, Black  
Pins : Brass 1x2mm x 2, tin plated  
Screw : M4 Steel, Nickel Plated  
Screw Torque Value : 18 Kg-cm

Part No. 32-DT66B01W-xx  
xx = No of Poles  
( 2, 3, 4, 5, 6, 7, 8, 9, 10 & 12 pole)



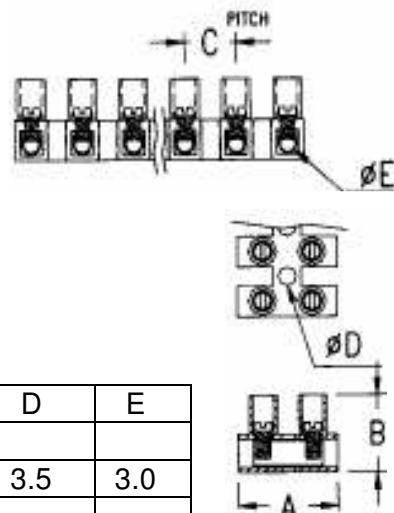
Part No.	Pitch A	Current Rating
32-DT66B01W-xx	11.0	40A

## Screw Terminal Block Wire Protector Type 12 Way. 6 & 10Amp

Material : Nylon 66 UL94V-2  
Wire Protector and Standard types  
Wire Protector specs are :  
Voltage Rating : 380 volts  
Temperature Rating : 105° C  
Approvals : UL, CSA, VDE, F, D, N, S



32-PA10DS/12



Part No	Rating	Wire	A	B	C	D	E
<b>Standard type</b>							
32-TS06/12	5A	6mm <sup>2</sup>	15.6	14.2	10	3.5	3.0
<b>Wire Protector</b>							
32-PA08DS/12	6 A	1.5mm <sup>2</sup>	16.4	13.3	8.2	2.9	2.7
32-PA10DS/12	10 A	2mm <sup>2</sup>	20.2	15.9	10.1	3.6	3.2