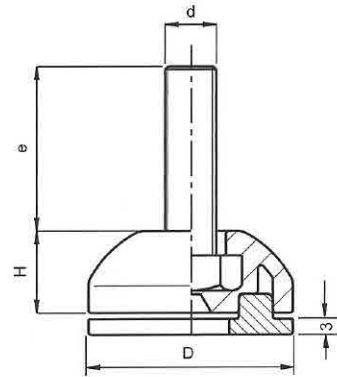


1188 - Thermoplastic Fixed Feet

- ★ Available in Black Duroplast
- ★ Stud Treated Steel or Stainless Steel
- ★ Optional non skid rubber pad

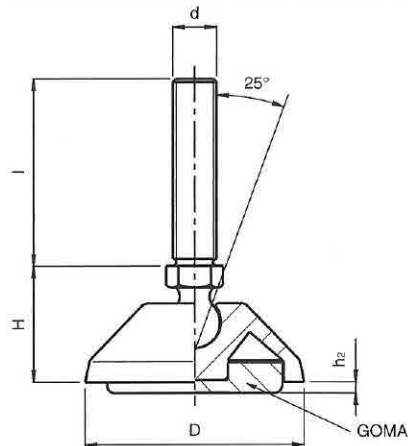


* Max Static Load

Part Number	D	H	d	e	Kg*
11-FFPB32S8-26	32	13	M8	26	800
11-FFPB32S10-23	32	13	M10	23	800
11-FFPB40S8-36	40	13	M8	36	800
11-FFPB40S10-33	40	13	M10	33	800

1189 - Thermoplastic Adjustable feet

- ★ Reinforced P.A.6, Black with treated steel stud
- ★ Max Static Load 10.000N (Vertical Stud)



Part Number	D	H	d	l	h2
11-AFP32S8-45	32	13	M8	45	2
11-AFP50S8-45	50	27	M8	45	2
11-AFP32S10-45	32	13	M10	45	2
11-AFP50S10-45	50	27	M10	45	2
11-AFP50S10-70	50	27	M10	70	2
11-AFP50S12-70	50	27	M12	70	2
11-AFP80S16-70	80	27	M16	70	2

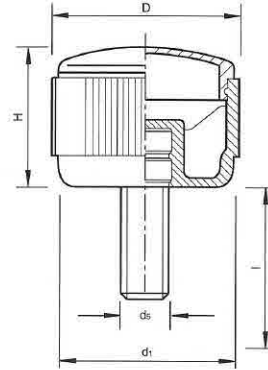
1196 – Contact Thermoplastic Knob - Male

- ★ Black thermoplastic base with cap.
- ★ Cap colours – Black, orange, red, blue, yellow, and silver
- ★ Treated threaded steel stud



11-KPCX see below

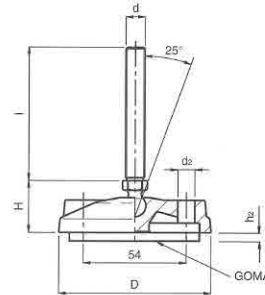
X = B – Black cap
O – Orange
R – Red
B – Blue
Y – Yellow
S – Silver



Part Number	D	H	d1	d5	l
11-KPCX40S6-15	40	28	37	M6	15
11-KPCX40S6-30	40	28	37	M6	30
11-KPCX40S6-40	40	28	37	M6	40
11-KPCX40S8-15	40	28	37	M8	15
11-KPCX40S8-30	40	28	37	M8	30
11-KPCX40S8-47	40	28	37	M8	47
11-KPCX40S10-20	40	28	37	M10	20
11-KPCX40S10-30	40	28	37	M10	30
11-KPCX40S10-40	40	28	37	M10	40

1190 – Adjustable feet with Thru Holes

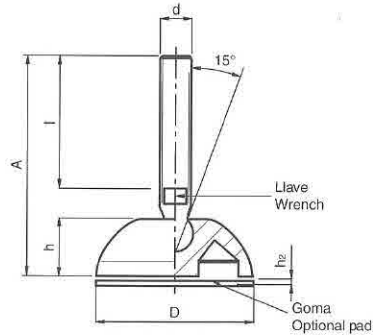
- ★ Reinforced P.A. 6, black with treated steel stud
- ★ Max Static Load 10.000 N (vertical stud)



Part Number	D	H	d	l	h2	d2
11-AFP80S8-45	80	27	M8	45	2	9
11-AFP80S8-70	80	27	M8	70	2	9
11-AFP80S10-45	80	27	M10	45	2	9
11-AFP80S10-70	80	27	M10	70	2	9
11-AFP80S12-45	80	27	M12	45	2	9
11-AFP80S12-70	80	27	M12	70	2	9
11-AFP80S14-70	80	27	M14	70	2	9
11-AFP80S14-120	80	27	M14	120	2	9
11-AFP80S16-70	80	27	M16	70	2	9
11-AFP80S16-120	80	27	M16	120	2	9
11-AFP80S20-100	80	27	M20	100	2	9

4201 – Adjustable feet – Stainless Steel Stud

- ★ Reinforced P.A.6 black plastic base
- ★ Stainless Steel stud
- ★ Optional non skid rubber pad black PVC

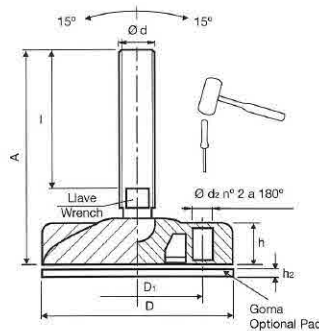


* Max Static Load – Vertical stud

Part Number	Kg*	D	h	d	l	A	Wrench	h2
11-AFP40SS8-45	1000	40	13	M8	45	68	6	2.5
11-AFP40SS8-65	1000	40	13	M8	65	88	6	2.5
11-AFP40SS10-35	1100	40	13	M10	35	60	8	2.5
11-AFP40SS10-70	1100	40	13	M10	70	95	8	2.5
11-AFP50SS8-45	1100	50	13	M8	45	68	6	2.5
11-AFP50SS8-65	1100	50	13	M8	65	88	6	2.5
11-AFP50SS10-35	1200	50	13	M10	35	60	8	2.5
11-AFP50SS10-70	1200	50	13	M10	70	95	8	2.5
11-AFP50SS12-43	1300	50	13	M12	43	70	10	2.5
11-AFP50SS12-63	1300	50	13	M12	63	90	10	2.5

4201 - Adjustable feet – steel stud

- ★ Reinforced P.A.6, Black with treated steel stud
- ★ Punch out holes for foot to floor fixing.
- ★ Optional non-slip rubber pad black PVC

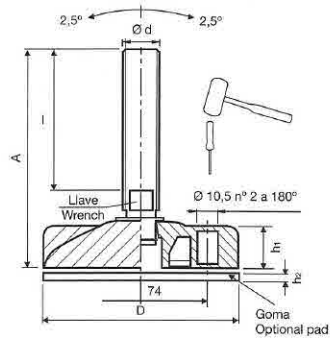


* Max Static Load – Vertical stud

Part Number	Kg*	D	D1	h	d	l	A	d2	Wrench	h2
11-AFP102S16-90	2200	102	74	20	M16	90	130	10.5	13	3
11-AFP102S16-125	2200	102	74	20	M16	125	165	10.5	13	3
11-AFP102S16-165	2200	102	74	20	M16	165	205	10.5	13	3
11-AFP102S20-116	2400	102	74	20	M20	116	160	10.5	17	3
11-AFP102S20-206	2400	102	74	20	M20	206	250	10.5	17	3
11-AFP124S16-90	2500	124	94	24	M16	90	134	10.5	13	3
11-AFP124S16-125	2500	124	94	24	M16	125	169	10.5	13	3
11-AFP124S16-165	2500	124	94	24	M16	165	209	10.5	13	3
11-AFP124S20-116	2700	124	94	24	M20	116	164	10.5	17	3
1-AFP124S20-206	2700	124	94	24	M20	206	254	10.5	17	3

4202 – Adjustable Feet for Heavy Loads

- ★ Reinforced P.A.6 black plastic base
- ★ Zinc Plated Steel stud
- ★ Optional non skid rubber pad black PVC
- ★ Maximum static load calculated with vertical stud

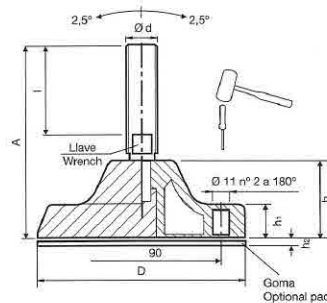


* Max Static Load

Part Number	Kg*	D	h1	d	l	A	Wrench	h2
11-AFH102S16-119	3300	102	20	M16	119	159	13	3
11-AFH102S16-201	3300	102	20	M16	201	241	13	3
11-AFH102S20-107	3500	102	20	M20	107	150	17	3
11-AFH102S20-157	3500	102	20	M20	157	200	17	3
11-AFH102S24-162	3700	102	20	M24	162	208	19	3

4202 - Adjustable Feet for Heavy Loads

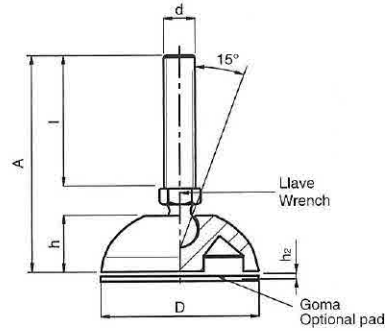
- ★ Reinforced P.A.6, Black with treated steel stud
- ★ Zinc Plated Steel stud
- ★ Optional non-slip rubber pad black PVC
- ★ Maximum static load calculated with vertical stud



Part Number	Kg*	D	h	h1	d	l	A	Wrench	h2
11-AFH124S16-119	4300	124	45	20	M16	119	180	13	5
11-AFH124S16-201	4300	124	45	20	M16	201	262	13	5
11-AFH124S20-107	4500	124	45	20	M20	107	171	17	5
11-AFH124S20-157	4500	124	45	20	M20	157	221	17	5
11-AFH124S24-162	4700	124	45	20	M24	162	229	19	5

4204 – Adjustable Feet - Plastic

- ★ Reinforced black Polyamide base and stud
- ★ Optional non skid rubber pad black PVC
- ★ Maximum static load calculated with vertical stud

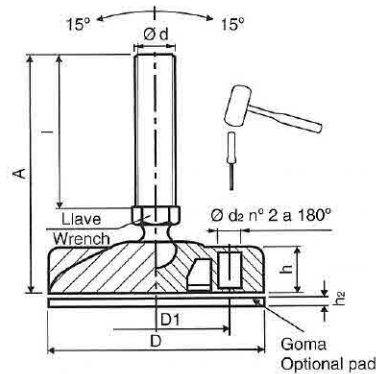


* Max Static Load

Part Number	D	h	d	l	A	Wrench	h2	Kg*
11-AFP60P16-67	60	17	M16	67	10	24	3	700
11-AFP60P20-140	60	17	M20	140	174	24	3	750

4204 - Adjustable Feet - Plastic

- ★ Reinforced black Polyamide base and stud
- ★ Optional non-slip rubber pad black PVC
- ★ Maximum static load calculated with vertical stud

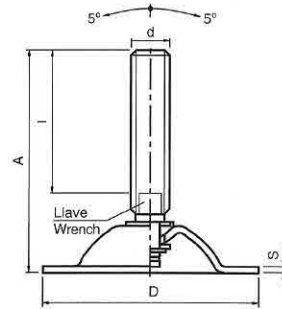


* Max Static Load

Part Number	D	D1	h	d	l	A	d2	Wrench	h2	Kg*
11-AFP80P16-67	80	54	17	M16	67	104	9	24	3	700
11-AFP80P20-140	80	54	17	M20	140	177	9	24	3	750
11-AFP102P16-67	102	74	20	M16	67	107	10.5	24	3	700
11-AFP102P20-140	102	74	20	M20	140	180	10.5	24	3	750

4205 – Steel Feet

- ★ Zinc-coated steel base and stud
- ★ Maximum static load calculated with vertical stud

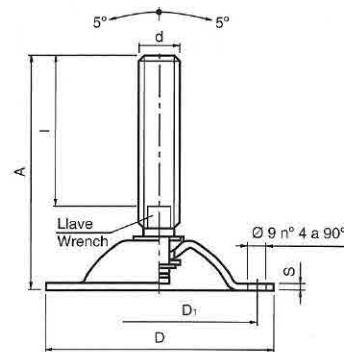


* Max Static Load

Part Number	D	A	d	l	Wrench	Kg*
11-AF113S16-58	113	100	M16	58	13	1500
11-AF113S16-145	113	187	M16	145	13	1500
11-AF113S20-107	113	152	M20	107	17	1500
11-AF113S20-157	113	202	M20	157	17	1500
11-AF113S24-90	113	138	M24	90	19	1500
11-AF113S24-162	113	210	M24	162	19	1500
11-AF113S30-125	113	173	M30	125	24	1500

4205 - Steel Feet with holes

- ★ Zinc-coated steel base and stud
- ★ Maximum static load calculated with vertical stud

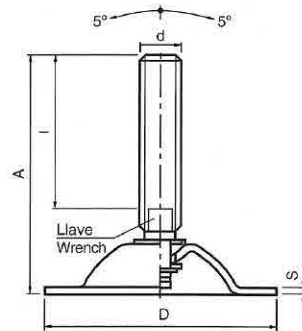


* Max Static Load

Part Number	D	A	d	l	D1	Wrench	Kg*
11-AFH113S16-58	113	100	M16	58	95	13	1500
11-AFH113S16-145	113	187	M16	145	95	13	1500
11-AFH113S20-107	113	152	M20	107	95	17	1500
11-AFH113S20-157	113	202	M20	157	95	17	1500
11-AFH113S24-90	113	138	M24	90	95	19	1500
11-AFH113S24-162	113	210	M24	162	95	19	1500
11-AFH113S30-125	113	173	M30	125	95	24	1500

4206 – Stainless Steel Feet

- ★ Stainless steel base and stud
- ★ Maximum static load calculated with vertical stud

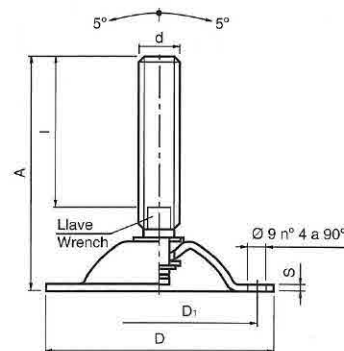


* Max Static Load

Part Number	D	A	d	l	Wrench	Kg*
11-AF113SS16-58	113	100	M16	58	13	1000
11-AF113SS16-145	113	187	M16	145	13	1000
11-AF113SS20-107	113	152	M20	107	17	1000
11-AF113SS20-157	113	202	M20	157	17	1000
11-AF113SS24-90	113	138	M24	90	19	1000
11-AF113SS24-162	113	210	M24	162	19	1000
11-AF113SS30-125	113	173	M30	125	24	1000

4206 - Stainless Steel Feet with holes

- ★ Stainless Steel base and stud
- ★ Maximum static load calculated with vertical stud



* Max Static Load

Part Number	D	A	d	l	D1	Wrench	Kg*
11-AFH113SS16-58	113	100	M16	58	95	13	1000
11-AFH113SS16-145	113	187	M16	145	95	13	1000
11-AFH113SS20-107	113	152	M20	107	95	17	1000
11-AFH113SS20-157	113	202	M20	157	95	17	1000
11-AFH113SS24-90	113	138	M24	90	95	19	1000
11-AFH113SS24-162	113	210	M24	162	95	19	1000
11-AFH113SS30-125	113	173	M30	125	95	24	1000