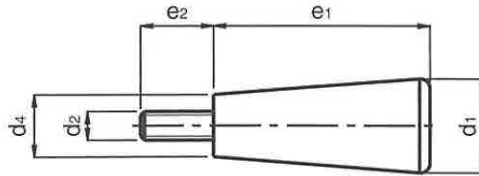


## 1136 - Fixed Handle

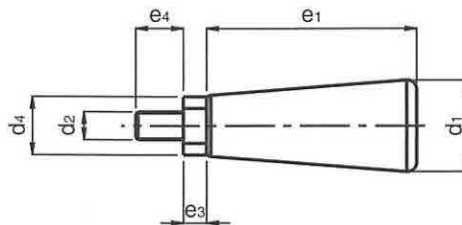
- ★ Black Duroplast
- ★ Treated threaded steel stud



Part Number	d1	d2	d4	e1	e2
11-HPFB45S6	20	M6	13	45	15
11-HPFB53S8	24	M8	16	53	15
11-HPFB76S10	25	M10	19	76	15
11-HPFB92S12	28	M12	21	92	15

## 1137 – Revolving Handle

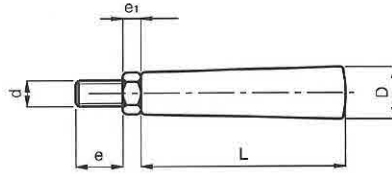
- ★ Black Duroplast
- ★ Treated threaded steel stud



Part Number	d1	d2	d4	e1	e3	e4
11-HPRB45S6	20	M6	13	45	5	12
11-HPRB53S8	24	M8	16	53	5.5	15
11-HPRB76S10	25	M10	19	76	6.5	15
11-HPRB92S12	28	M12	21	92	7	15

## 1141 - Revolving Plain Handle

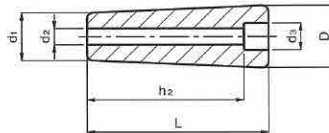
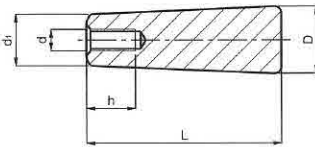
- ★ Black P.P.
- ★ Treated threaded steel stud



Part Number	D	L	d	e	e1
11-HPRB50S6	15	50	M6	11	5
11-HPRB60S8	17	60	M8	13	6
11-HPRB70S10	20	70	M10	18	7
11-HPRB80S12	23	80	M12	19	8

## 1144 - Phenolic Tapered Hand Knob

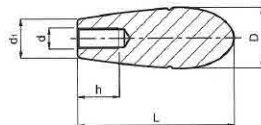
- ★ Black Duroplast
- ★ Moulded thread



Part Number	D	L	d	d2	h	h2	d1	d3
11-KPTB30H5O	13	30	-	5	-	23.2	10	8.5
11-KPTB50H6O	15	50	-	6	-	40	12	8.8
11-KPTB60H8O	17	60	-	8	-	48	14	10
11-KPTB45M6	20	45	M6	-	14	-	13	-
11-KPTB45H6O	20	45	-	6	-	37.5	13	9.7
11-KPTB53M6	24	53	M6	-	14	-	16	-
11-KPTB76M8	25	76	M8	-	18	-	19	-
11-KPTB80H10O	23	80	-	10	-	65	18.5	14
11-KPTB92M10	28	92	M10	-	22	-	21	-
11-KPTB132M12	30	132	M12	-	25	-	23.5	-

## 1145 - Phenolic Hand Knob

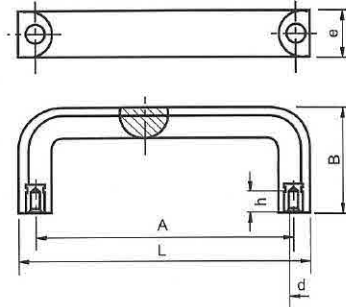
- ★ Black Duroplast
- ★ Moulded thread



Part Number	D	L	d	h	d1
11-KPHB95M12	35	95	M12	24	20
11-KPHB120M12	35	120	M12	24	20

## 1153 - Solid Phenolic Handle

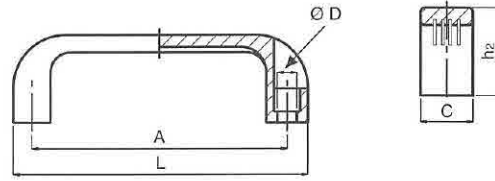
- ★ Black Duroplast
- ★ Brass female threaded inserts



Part Number	L	A	B	e	d	h
11-HPB124B6	124	109±0.5	45	21	M6	13
11-HPB148B8	148	132±0.5	54	24	M8	13

## 1157 - Thermoplastic Handle with Thru Holes

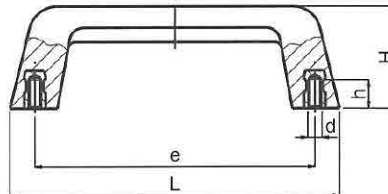
- ★ P.A.6 + Black Fibre Glass



Part Number	L	C	h2	A	D
11-HPB110H6	110	21	37	94±1	6.5
11-HPB133H8	133	24	40	116±1	9
11-HPB139H8	139	24	40	120±1	8.5
11-HPB151H8	151	26	43	132±1	8.5
11-HPB200H8	200	28	50	180±1	8.5
11-HPB260H10	260	32	54	235±1	10.5

## 1161 - Phenolic Handle

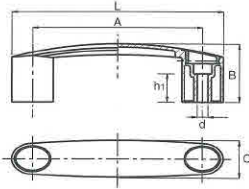
- ★ Black Duroplast
- ★ Brass female threaded inserts



Part Number	L	H	e	d	h
11-HPDB130B6	130	43	109±1.0	M6	10
11-HPDB165B8	165	55	131±1.0	M8	14

## 1155 - CT Thermoplastic Handle

- ★ Black Reinforced thermoplastic
- ★ Plain holes and coloured caps



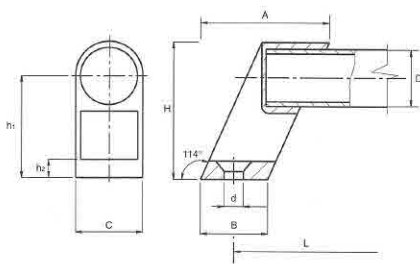
Part no. 11-HPB093H6 = with Black caps

Part no. 11-HPBX093H6 X = Cap colour : B – Blue cap , O – Orange, R – Red, Y – Yellow, G - Grey

Part Number	A	L	B	d	C	h1
11-HPB093H6	93±1	116	35	6.5	20	20
11-HPBX093H6	93±1	116	35	6.5	20	20
11-HPB109H8	109±1	141	42	8.5	25	20
11-HPBX109H8	109±1	141	42	8.5	25	20
11-HPB117H8	117±1	141	42	8.5	25	20
11-HPBX117H8	117±1	141	42	8.5	25	20
11-HPB132H8	132±1	163	45	8.5	29	22
11-HPBX132H8	132±1	163	45	8.5	29	22
11-HPB150H8	150±1	181	48	8.5	31	25
11-HPBX150H8	150±1	181	48	8.5	31	25

## 1156 - MGM Thermoplastic Handle

- ★ Black or Orange thermoplastic ends
- ★ Center piece anodised aluminium



L – also available in lengths – 300, 400, 500,700

11-HMBBRKT20 – Handle bracket only black 20mm dia

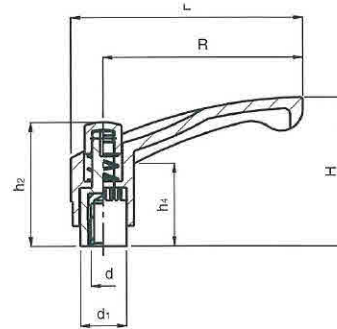
11-HMBBRKT25 – Handle bracket only black 25mm dia

11-HMBAL = black 11-HMOAL = orange

Part Number	D	L	A	B	C	H	h1	h2	d
11-HMBAL20020H8	20	200±1	47	23	26	53	40	6	8.4
11-HMOAL20020H8	20	200±1	47	23	26	53	40	6	8.4
11-HMBAL20025H8	25	200±1	56	29	32	60	43	8	8.4
11-HMOAL20025H8	25	200±1	56	29	32	60	43	8	8.4

## 1198 – Thermoplastic Adjustable Handle - Female

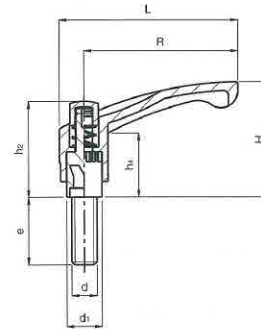
- ★ P.A.6 black fibre glass reinforced
- ★ Treated threaded brass insert, stainless-steel spring



Part Number	R	L	H	h2	d1	h4	d
11-HPAB51B4	43	51	38	33	13	23	M4
11-HPAB51B5	43	51	38	33	13	23	M5
11-HPAB51B6	43	51	38	33	13	23	M6
11-HPAB75B6	65	75	48	42	16	26	M6
11-HPAB75B8	65	75	48	42	16	26	M8
11-HPAB75B10	65	75	48	42	16	26	M10
11-HPAB98B8	85	98	63	50	18	34	M8
11-HPAB98B10	85	98	63	50	18	34	M10
11-HPAB98B12	85	98	63	50	18	34	M12

## 1198 – Thermoplastic Adjustable Handle - Male

- ★ P.A.6 black fibre glass reinforced
- ★ Treated threaded steel stud, stainless-steel spring



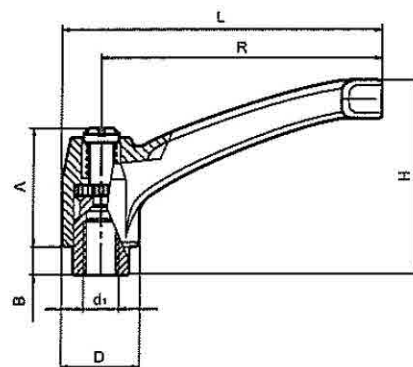
Part Number	R	L	H	h2	d1	h4	d	e
11-HPAB51S5-20	43	51	38	33	13	23	M5	20
11-HPAB51S6-15	43	51	38	33	13	23	M6	15
11-HPAB51S6-40	43	51	38	33	13	23	M6	40
11-HPAB75S6-20	65	75	48	42	16	26	M6	20
11-HPAB75S6-40	65	75	48	42	16	26	M6	40
11-HPAB75S8-20	65	75	48	42	16	26	M8	20
11-HPAB75S8-47	65	75	48	42	16	26	M8	47
11-HPAB75S10-40	65	75	48	42	16	26	M10	40
11-HPAB98S12-50	85	98	63	50	18	34	M12	50
11-HPAB98S12-60	85	98	63	50	18	34	M12	60

# 4750 – Zinc Die Cast Adjustable Handle

★ It made of zinc die-cast, black RAL9011. Inner parts in black Steel (UNI5105)

## Female Handle

Part Number	R	H	A	B	D	d1
11-HBZA43S4	43	30	24	5	14	M4
11-HBZA43S5	43	30	24	5	14	M5
11-HBZA43S6	43	30	24	5	14	M6
11-HBZA65S6	65	45	27	7	19	M6
11-HBZA65S8	65	45	27	7	19	M8
11-HBZA80S8	80	56	33	8	22	M8
11-HBZA80S10	80	56	33	8	22	M10
11-HBZA80S12	80	56	33	8	22	M12
11-HBZA94S10	94	65	39	10	26	M10
11-HBZA94S12	94	65	39	10	26	M12
11-HBZA94S16	94	65	39	10	26	M16
11-HBZA108S16	108	77	41	12	30	M16



## Male Handle

Part Number	R	H	A	B	D	d1	e
11-HBZA43S5-15	43	30	24	5	14	M5	15
11-HBZA43S5-30	43	30	24	5	14	M5	30
11-HBZA43S6-15	43	30	24	5	14	M6	15
11-HBZA43S6-25	43	30	24	5	14	M6	25
11-HBZA43S6-40	43	30	24	5	14	M6	40
11-HBZA65S6-20	65	30	27	7	19	M6	20
11-HBZA65S6-30	65	45	27	7	19	M6	30
11-HBZA65S8-15	65	45	27	7	19	M8	15
11-HBZA65S8-30	65	45	27	7	19	M8	30
11-HBZA65S8-45	65	45	27	7	19	M8	45
11-HBZA80S8-20	80	56	33	8	22	M8	20
11-HBZA80S8-40	80	56	33	8	22	M8	40
11-HBZA80S10-20	80	56	33	8	22	M10	20
11-HBZA80S10-40	80	56	33	8	22	M10	40
11-HBZA94S12-20	94	65	39	10	26	M12	20
11-HBZA94S12-35	94	65	39	10	26	M12	35
11-HBZA94S12-50	94	65	39	10	26	M12	50
11-HBZA94S16-30	94	65	39	10	26	M16	30
11-HBZA94S16-50	94	65	39	10	26	M16	50
11-HBZA108S16-40	108	77	41	12	30	M16	40
11-HBZA108S16-60	108	77	41	12	30	M16	60

