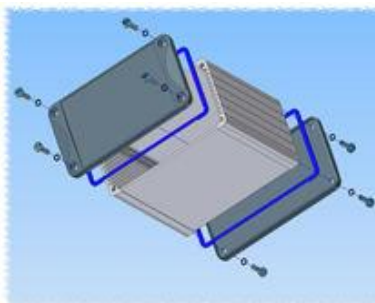
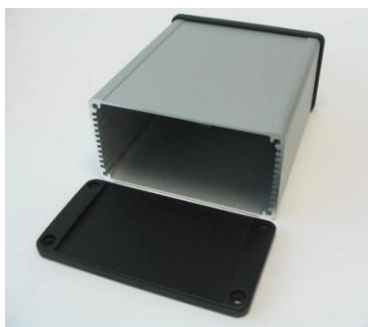


## 1457 Series Aluminum Enclosures

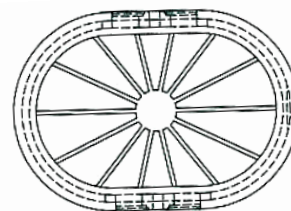


- ◆ Rugged Extruded Aluminum
- ◆ IP 65
- ◆ EMI / RFI Screening Available in IP54
- ◆ Flange Mounting Option
- ◆ Internal Extruded Slots
- ◆ 3 Different Extrusion Sizes
- ◆ Standard Length from 80mm to 160mm

## Adjustable Snap Bushes



- ◆ New Large Oval Sizes



- ◆ Panel Thickness 1.2-3.0mm

Part Number	Length (mm)	Width (mm)	Thickness (mm)
22-PAB3725	37	25	
22-PAB5030	50	30	1.2-3.0
22-PAB8054	80	54	1.2-3.0
22-PAB025	25.4 diameter		0.8-3.2

- ◆ New Round Open Bush



## VISIPAK Transparent Packaging

### ◆ Clear Tube – Presentation Packaging & Transport Protection

- Heavy wall
- Rugged PETG material
- Round, Open-end Tube
- From 3/16” to 4” diameters

### ◆ Caps & Plugs – For Visipak Tubes

- Tuff Pak Caps
- Hanger Caps
- Clear Caps
- Poly Tab Plugs
- Hole Plugs



*In Stock Now!*

For more information, samples, prices and availability - Please contact

**Hi-Q Electronics Ltd**

**Ph 0800 800 293**

6c Douglas Alexander Parade  
Albany, Auckland

Email: [sales@hiq.co.nz](mailto:sales@hiq.co.nz)

[www.hiq.co.nz](http://www.hiq.co.nz)

### Request Our Free Latest Catalogues

Please Fax Details to 09 415 8686:

- Electronic    Plastic    Protective products    Industrial    Hammond

Company: .....Contact: .....

Postal Address:.....

.....  
.....