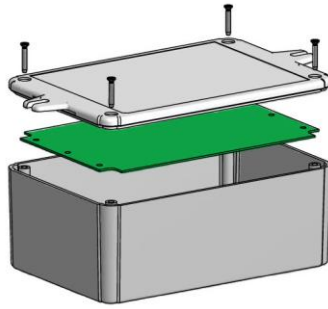
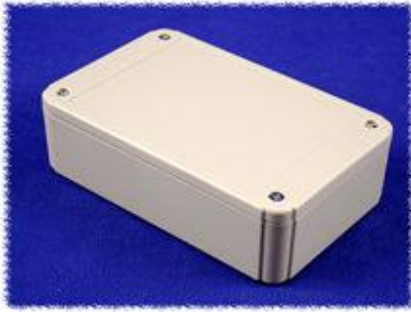


RITEC Enclosures--- RL Series



- ◆ Smooth recessed area for label, or membrane
- ◆ Hand held use or wall mount with flanged lid option
- ◆ Light Grey ABS
- ◆ PCB standoffs on both base and lid
- ◆ Design to meet IP54
- ◆ 12 sizes from 80x60x30 to 200x150x100

Contact us for your requirement now!!!

Hi-Q Safety Caps

**Unique Three in One Design
Protection Caps**

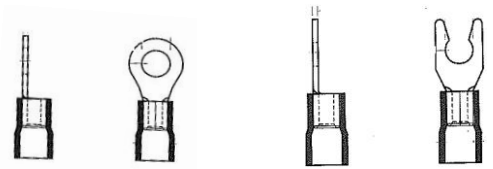
- ◆ Design to fit Scaffold tube 48.3mm Waratah stakes and Reinforcing Bar, sizes D10, D12, D16
- ◆ UV Stabilized LLDPE
- ◆ Protects people/workers from injury
- ◆ Prevents objects being placed in ends of scaffold tube
- ◆ Highlights exposed reinforcing bars
- ◆ Patent Pending
- ◆ Registered Design Pending
- ◆ Made in NZ



14-CPP483HIQY

Wire Connections, Terminals

- ◆ Ring, Blade, Spade, Hook, Butt and Flag
- ◆ Insulated & Non-Insulated
- ◆ Disconnects from 2.8mm to 6.35mm
- ◆ Red, Blue, and Yellow sizes
- ◆ PCB and Chassis mtg terminals
- ◆ Stock range available



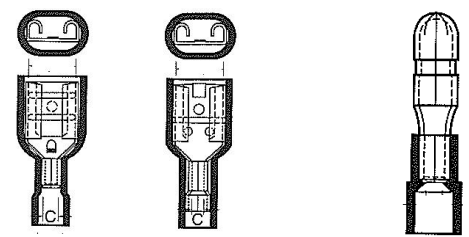
Ring Terminals

Locking Spade Terminals



Female Disconnects

Male Disconnects



Female Disconnects Fully Insulated

Bullet Disconnects

Contact us for your requirement now!!!

For more information, samples, prices and availability - Please contact

Hi-Q Electronics Ltd

Ph 0800 800 293

6c Douglas Alexander Parade
Albany, Auckland

Email: sales@hiq.co.nz

www.hiq.co.nz

Request Our Free Latest Catalogues

Please Fax Details to 09 415 8686:

- Electronic Plastic Protective products Industrial Hammond

Company:Contact:

Postal Address:.....

.....
.....