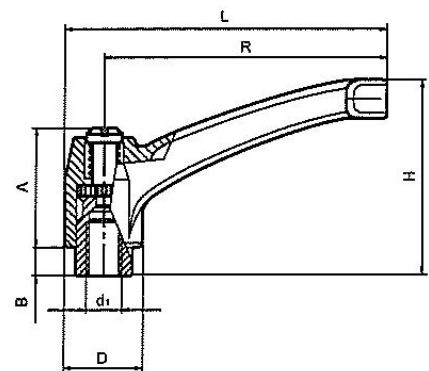


4750 – Zinc Die Cast Adjustable Handle

- ★ It made of zinc die-cast, black RAL9011. Inner parts in black Steel (UNI5105)

Part Number	H	A	B	D	d1
11-HBZA43S4	30	24	5	14	M4
11-HBZA43S5	30	24	5	14	M5
11-HBZA43S6	30	24	5	14	M6
11-HBZA65S6	45	27	7	19	M6
11-HBZA65S8	45	27	7	19	M8
11-HBZA80S8	56	33	8	22	M8
11-HBZA80S10	56	33	8	22	M10
11-HBZA80S12	56	33	8	22	M12
11-HBZA94S10	65	39	10	26	M10
11-HBZA94S12	65	39	10	26	M12
11-HBZA94S16	65	39	10	26	M16
11-HBZA108S16	77	41	12	30	M16



Part Number	H	A	B	D	d1	L
11-HBZA43S5-15	30	24	5	14	M5	15
11-HBZA43S5-30	30	24	5	14	M5	30
11-HBZA43S6-15	30	24	5	14	M6	15
11-HBZA43S6-25	30	24	5	14	M6	25
11-HBZA43S6-40	30	24	5	14	M6	40
11-HBZA65S6-20	30	27	7	19	M6	20
11-HBZA65S6-30	45	27	7	19	M6	30
11-HBZA65S8-15	45	27	7	19	M8	15
11-HBZA65S8-30	45	27	7	19	M8	30
11-HBZA65S8-45	45	27	7	19	M8	45
11-HBZA80S8-20	56	33	8	22	M8	20
11-HBZA80S8-40	56	33	8	22	M8	40
11-HBZA80S10-20	56	33	8	22	M10	20
11-HBZA80S10-40	56	33	8	22	M10	40
11-HBZA94S12-20	65	39	10	26	M12	20
11-HBZA94S12-35	65	39	10	26	M12	35
11-HBZA94S12-50	65	39	10	26	M12	50
11-HBZA94S16-30	65	39	10	26	M16	30
11-HBZA94S16-50	65	39	10	26	M16	50
11-HBZA108S16-40	77	41	12	30	M16	40
11-HBZA108S16-60	77	41	12	30	M16	60

