

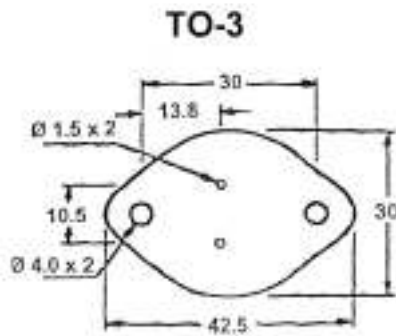
Hi-Q Components

Hi-Q Electronics Ltd, PO Box 302 015, North Harbour, Auckland, New Zealand Ph + 64 9 415 3333 Fax + 64 9 415 8686

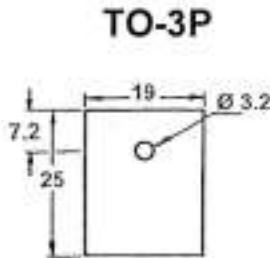
Power Transistor Insulator Pads

- ★ Low Thermal Resistance
- ★ High Breakdown Voltage
- ★ Avoid the problems of Mica & Grease
- ★ Speed up Assembly

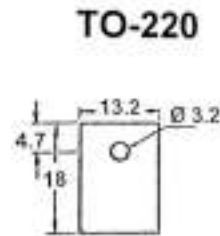
Configurations:



Part No.
03-KTO-3A



Part No.
03-KTO-3PA



Part No.
03-KTO-220A.25

Physical Properties of Material

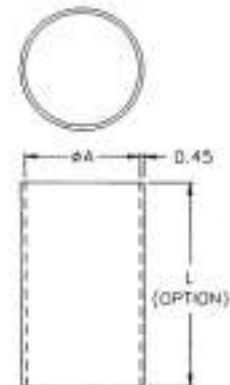
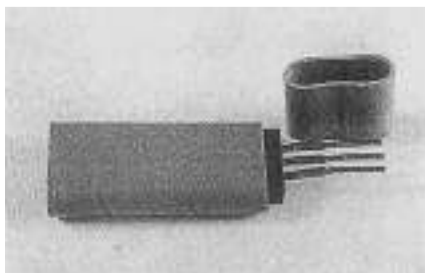
	Test Method	Unit	Typical Value Material A	Typical Value Material A.25
Colour			Grey	Grey
Thickness	ASTM D751	mm	0.3 ± 0.03	0.25 ± 0.03
Tensile Strength	ASTM D751	Kg/cm ²	160	160
Elongation	ASTM D751	%	3	3
Hardness, Shore A	ASTM D2240	-	80° ± 3°	80° ± 3°
Volume Resistivity	ASTM D257	ohm/cm	1x10 ¹⁵	1x10 ¹⁵
Dielectric Strength 1/4" Electrodes	ASTM D149	volts	6000	4000
Temperature Range	-	°C	-50° to 120°C	-50° to 120°C
Flammability Class	UL-94	-	94V-0	94V-0
Coefficient Thermal Conduction	-	1 Cal/cm, Sec, °C	1 x 10 ⁻³	4.6 x 10 ⁻³
Thermal Resistance	-	°C / Watt	0.3	0.2

Also available in roll or sheet form.

Silicon Tubing

- ★ For quick assembly of TO-220 transistors .
use with Spring Clamp Mount 20-KTO-220CLIP.

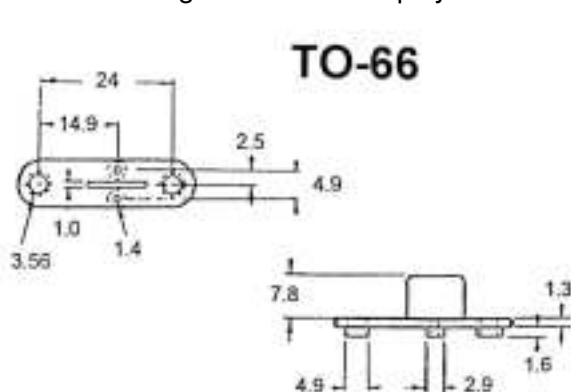
Part No.	A mm
28-KST30GTR08	8.0
28-KST30GTR10	10.0
28-KST30GTR12	12.0
28-KST30GTR14	14.0
28-KST30GTR16	16.0



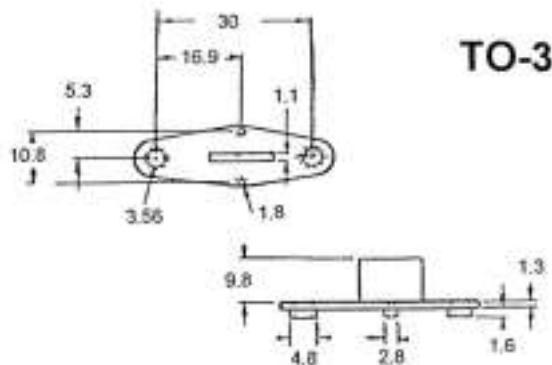
Standard Lengths L = 1 metre

Power Transistor Insulator Mounts

- ★ Simplify power transistor mountings and insulation.
- ★ Replace up to six pieces of conventional insulation.
- ★ Improve thermal efficiency by increasing the heatsink interface surface with minimized clearance holes.
- ★ Built-in barrier not only eliminates the need for sleeving of base and emitter connections but serves as an assembly aid during installation.
- ★ Moulded in glass reinforced polyester.



TO-66



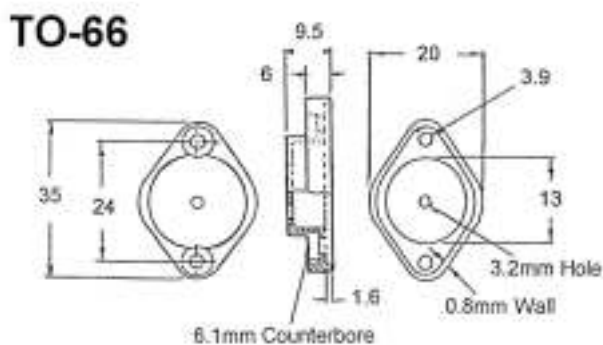
TO-3

Part No. 03-TM066HDB

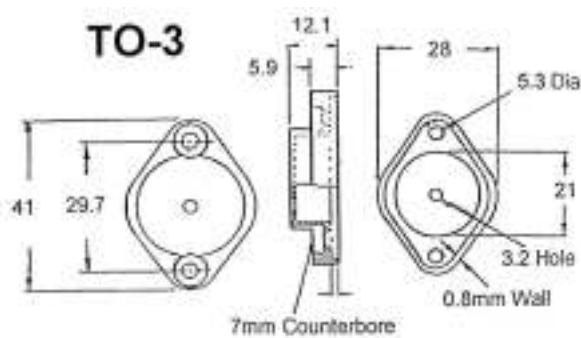
Part No. 03-TM003HDB

Power Transistor Covers

- ★ Eliminate chance of short circuit and electric shock.
- ★ Hole in cover for test probe. ★ Moulded in Nylon 6/6.



TO-66



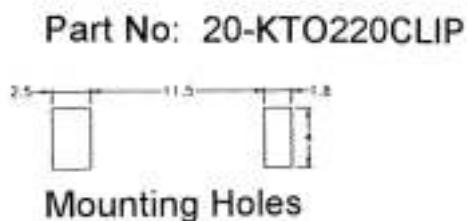
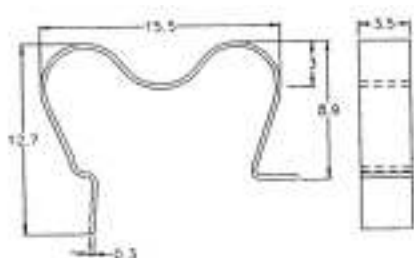
TO-3

Part No. 03-TC066H01

Part No. 03-TC003H01

Transistor Spring Clamp Mount

- ★ Speed up TO-220 power transistor assembly.
- ★ Use in conjunction with silicon insulation tubing or Pads (Page 9).



Hi-Q Components

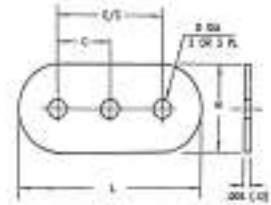
Hi-Q Electronics Ltd, PO Box 302015, North Harbour, Auckland, New Zealand Ph + 64 9 415 3333 Fax + 64 9 415 8686

Crystal Insulating Washers

- ★ PCB short circuit protection.
- ★ High dielectric strength
- ★ Material: Mylar EL21 Rated UL 94V-2



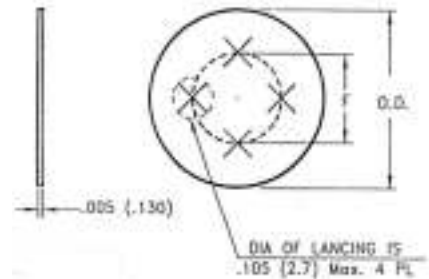
Part Number	Crystal Type	C/C	L	D	W
03-BCI-148028	HC-80/U	3.8	8.3	0.71	3.7
03-BCI-192028	HC18/U,HC-43/U,HC-49/U	4.9	11.8	0.71	5.6
03-BCI-192050	HC25/U,HC-42/U,HC50/U	4.9	11.8	1.3	5.6



Electrolytic Insulators

- ★ Self-retaining, transparent, tough & temperature resistant.
- ★ Insulates and allows circuitry beneath capacitor.
- ★ Material: Mylar EL21 Rated UL 94V-2.

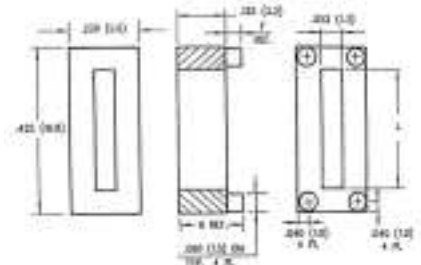
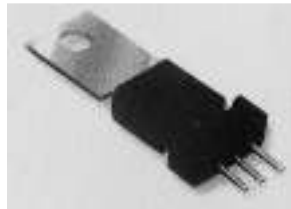
Part Number	O.D.	F
03-BECI-1	18.0	10.0
03-BECI-2	21.0	10.0



Power Transistor Mounts

- ★ Use for T202 and TO220.
- ★ Insulates and protects from excess heat.
- ★ Material: Nylon Black Rated UL 94V-2.

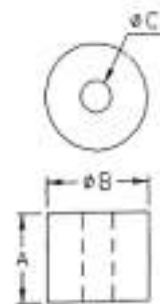
Part Number	H mm	F mm.	L mm
03-BT-423125	3.2	0	6.5
03-BT-423150	3.8	0.64	6.5
03-BT-423175	4.4	1.3	6.5
03-BT-423200	5.1	1.9	6.5



Ceramic Resistor Mounts

- ★ Insulates and protects from excess heat.
- ★ Material: Porcelain.

Part Number	A mm	B mm	C mm
03-CHS1045	4.5	3.8	1.0
03-CHS1090	9.0	3.8	1.0
03-CHS1630	3.0	4.5	1.6
03-CHS1645	4.5	4.5	1.6
03-CHS1690	9.0	4.5	1.6
03-CHS0969	6.9	2.6	0.9



Mounts for Resistors, Transistors, Diodes, SIL & DIL's also available.