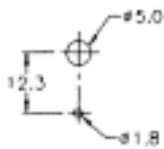
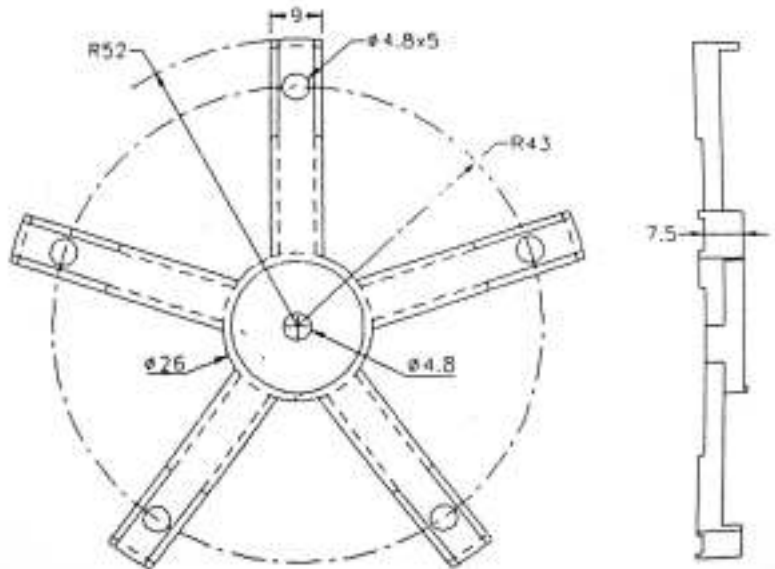
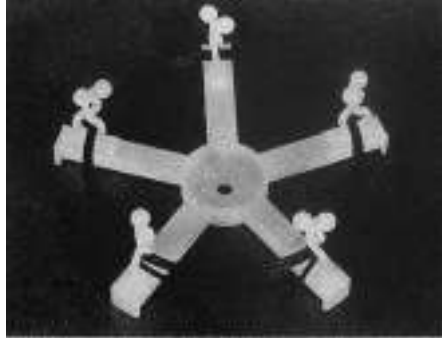


Hi-Q Components

Hi-Q Electronics Ltd, PO Box 302 015, North Harbour, Auckland, New Zealand Ph + 64 9 415 3333 Fax + 64 9 415 8686

Fibre Optic Cable Mount

- ★ Collect and protect excess fibre optic cable lengths near to termination.
- ★ Each assembly requires 5 pieces of one of the barb lock mount twist ties listed below or 18-PWS type wire saddles listed on page 36.



Mounting Holes

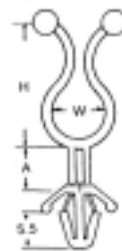
Part Number : 20 – FCH-1

Barb Lock Mount Twist Ties For Fibre Optic Mount

- ★ Locks quickly into a 4.8mm hole for accurate mounting.
- ★ Cables secured and supported with a twist.

Part Number	Max Bundle Dia. W Closed	A mm	H mm
15-PSC5/6	4.8	4.0	22.0
15-THD7/3	7.2	2.5	26.0
15-PSC11/4	10.5	2.5	31.0
15-PSC14/2	14.0	2.3	30.7

UL Approved Nylon 6/6



Adhesive Mount Twist Ties

- ★ Mounts quickly on to flat surface.
- ★ Cables secured and supported with a twist.

Part Number	Max Bundle Dia. Closed	A mm	B mm	C mm
15-KLA082	8.2	28.7	25.0	13.0
15-KLA100	10.0	29.0	21.0	19.0
15-KLA138	13.8	32.7	20.0	20.0

UL Approved Nylon 6/6

