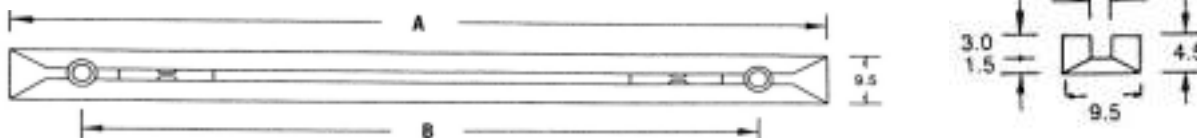


# Hi-Q Components

Hi-Q Electronics Ltd, PO Box 302 015, North Harbour, Auckland, New Zealand Ph + 64 9 415 3333 Fax + 64 9 415 8686

## PCB Track - Std. Horizontal Mount

- ★ Nodes exert spring action to retain 1.5mm PCB.
- ★ Slotted base permits circulation of air.

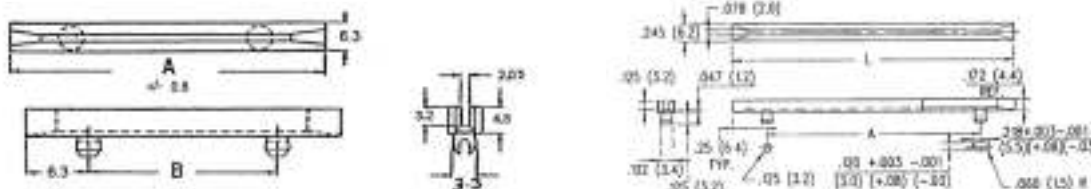


Part Number	A mm	B mm	Mounting
07-PBT90A	89	77.5	2x Integral Nylon spigots - 3mm holes.
07-PBT90	89	64.5	2x M3/6mm Flat head screws
07-PBT120	119	94.5	2x M3/6mm Flat head screws
07-PBT140	140	115.5	2x M3/6mm Flat head screws

Material : Nylon 6/6

## PCB Tracks - Miniature Horizontal Mount

- ★ Narrow profile permits close spacing. ★ Easily snap into pre-punched holes.
- ★ Anti-Static type has a stainless steel insert ground plane to make circuit contact.



### Std Nylon Snap-in PCB Track

- ★ Moulded in tough high dielectric nylon 6/6.

Part Number	Length A	Hole Centres B
07-CGS64	63.5	50.8
07-CGS76	76.2	63.5
07-CGS89	88.9	76.2
07-CGS102	101.6	88.9
07-CGS152	152.4	139.7

### Anti Static Snap-in PCB Track

- ★ Static Decay meets NFPA and Mil-B-81705B

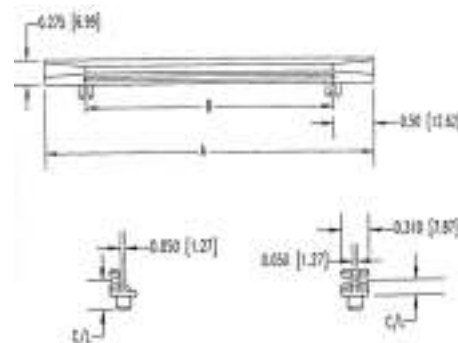
Part Number	Length A	Hole Centres B
07-BS-250	63.5	51.6
07-BS-300	76.2	64.5
07-BS-350	88.9	77.3
07-BS-400	101.6	90.2
07-BS-600	152.4	141.8

The CGS ,BS & BHCG Series are designed to fit a 3.2 +0.06 -0.02mm front diameter hole and a 3.0 +0.18 -0.08mm x 5.5mm slot rear hole.

## PCB SideTrack Horizontal Mount

- ★ Centre line height of 4.2mm.
- ★ Mount on side panel to save space.
- ★ Both ends have tapered ramp entries.

Part Number Single Sided	Part Number Double Sided	Length A ± 0.4	Hole Centres B ± 0.4
07-BHCG-251-165	07-BHCG-252-165	63.5	38.1
07-BHCG-301-	07-BHCG-302-	76.2	50.8
07-BHCG-351-	07-BHCG-352-	88.9	63.5
07-BHCG-401-	07-BHCG-402-	101.6	76.2
07-BHCG-601-	07-BHCG-602-	152.4	127.0



Slotting of 2<sup>nd</sup> hole is recommended to allow for length variations.

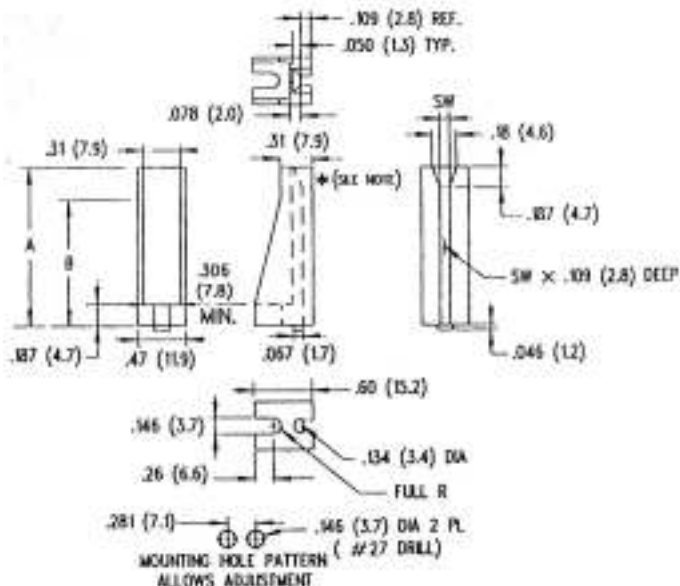
Hole Size : 4.4mm dia. + 0.08 - 0.03 Panel thickness 1.2 to 2.3mm

# Hi-Q Components

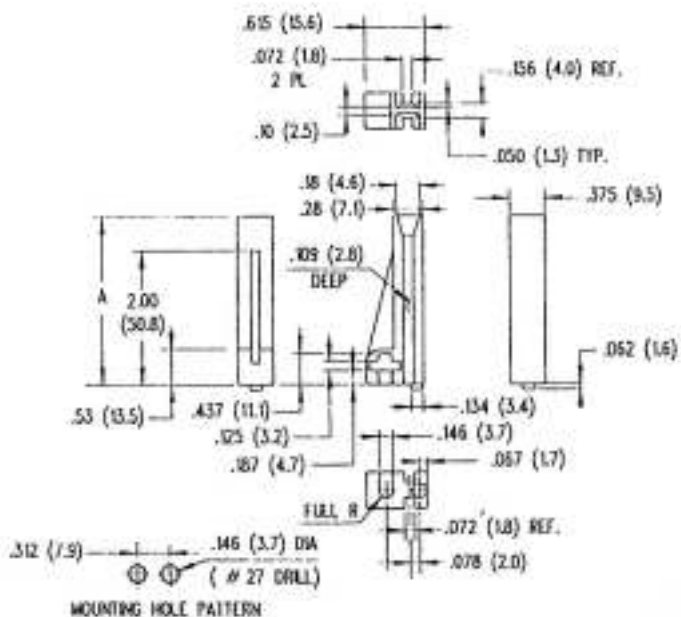
Hi-Q Electronics Ltd, PO Box 302 015, North Harbour, Auckland, New Zealand Ph + 64 9 415 3333 Fax + 64 9 415 8686

## PCB Track - Vertical Mount

- ★ Rigidly reinforced and heat resistant.
- ★ Easily installed with standard #6 screw.
- ★ Funnel entry ramps with 2.8mm depth.
- ★ Material: Black GRZ Nylon UL94V-0.



Single Side Part Number	A mm	B mm
07- BV2-25	63.5	38.1
07- BV2-30	76.2	50.8
07- BV2-35	88.9	50.8
07- BV2-40	101.6	50.8
07- BV2-45	114.3	50.8



Double Side Part Number	A mm	B mm
07- BV3-25	63.5	38.1
07- BV3-30	76.2	50.8
07- BV3-35	88.9	50.8
07- BV3-40	101.6	50.8
07- BV3-45	114.3	50.8