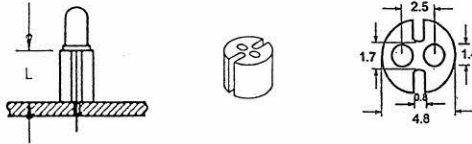


General Purpose Moulded Nylon Mounts

- ★ Universal for 3mm and 5mm LED's.
- ★ Material: Natural Nylon 6/6 UL94V-2.

Part No.	Length mm
01-LDN206	6.4
01-LDN209	9.5
01-LDN213	12.7


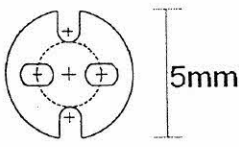

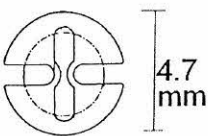

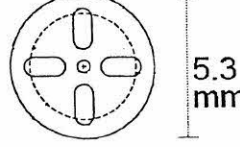

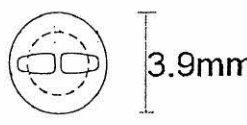
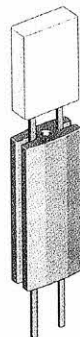
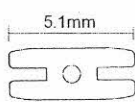
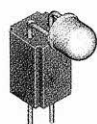
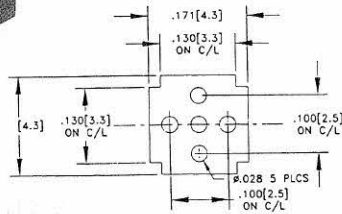
Available also in black



Self-Retaining Extruded PVC Mounts

- ★ Self-retaining feature for auto insertion and pre assembly.
- ★ Available in stock metric sizes from 1mm to 32mm.
- ★ Precise lengths in increments of 0.005" (0.127mm) also available
- ★ Material: BELM Series Black PVC Alloy UL94V-0.
- ★ Operating temperature -40 to +85°C.)

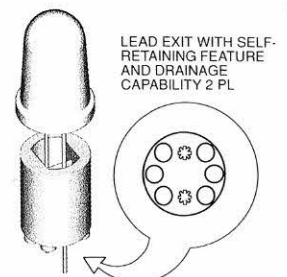
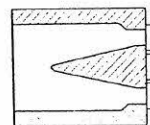


<p>5mm LED 2 Lead Part No: 51-BELM1-xx (xx=Length) 1mm increments</p>  	<p>3mm LED 2 Lead Part No: 51-BELM2-xx (xx=Length) 1mm increments</p>  	<p>5mm LED 3 Lead Part No: 51-BELM3-xx (xx=Length) 1mm increments</p>  	<p>3mm LED 2 Lead Part No: 51-BELM5-xx (xx=Length) 1mm increment:</p>  
<p>Rectangular LED 2x4 or 2x5mm 2 or 3 Lead</p>   <p>Part No: 51-BERM1-xx (xx=Length) 1mm increment</p>		<p>Vertical/Right Angle 3 or 5mm 2 or 3 Lead</p>  <p>Part No: 51-BERB1-xx (xx=Length) 1mm increments</p> 	

Self-Retaining High Temperature Moulded Mounts

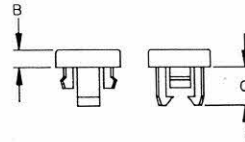
- ★ Material Black 33% GF Polyphthalamide (PPA) UL94V-0 (260 °C Max.)
- ★ Suitable for IR reflow soldering applications.
- ★ Self-retaining for auto insertion and pre assembly.
- ★ 54 lengths from 0.120" (3.1mm) to 0.900" (22.9mm).
- ★ Universal for 3mm & 5mm LED's

Part No. 51-BLTM-xxx
xxx = length in inches
e.g. 51-BLTM-170
0.170" (4.3mm) long



LED Panel Clip

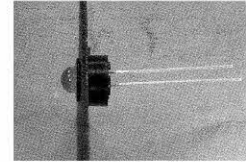
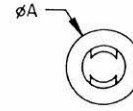
- ★ One piece part for quick assembly.
- ★ For use with standard 5mm LED's.



LEDH01, 02

Part Number	Hole Size Mm	Max. Panel Thick. T	A mm	B mm	C mm
35-LEDH01	6.1 - 6.3	1.8	8.1	0.6	6.4
35-LEDH02	7.1 - 7.3	1.2	9.1	2.5	5.6
35-LED5-2	6.4	3.0	7.9	0.5	6.2

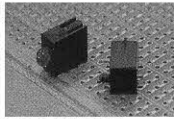
Material: Nylon 6/6 Black



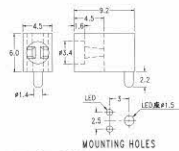
LED5-2 (Clip & Ring)

3 mm Holders for 90° Mounting

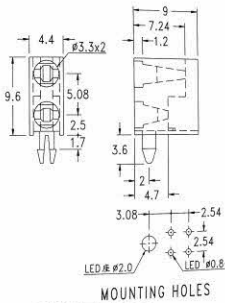
- ★ Some preferred stock types.
- ★ Other options available.



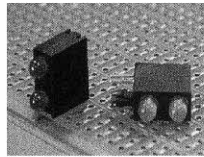
35-LEK301



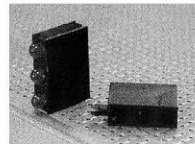
35-LEK301



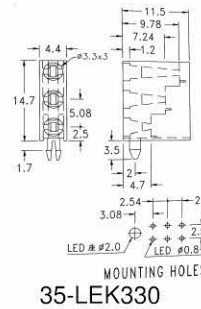
35-LEK320



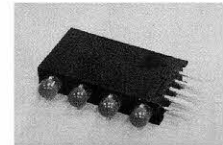
35-LEK320



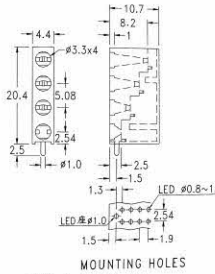
35-LEK330



35-LEK330



35-LEK340

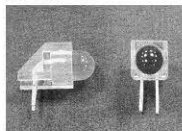


35-LEK340

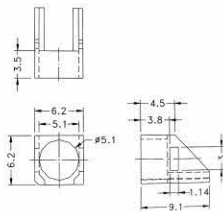
5mm & Misc. Holders for 90° Mounting

- ★ Some preferred stock types.
- ★ Other options available.

5 mm

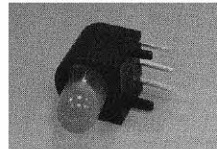


35-LED505

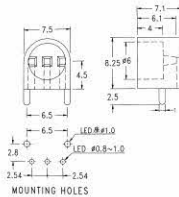


35-LED505

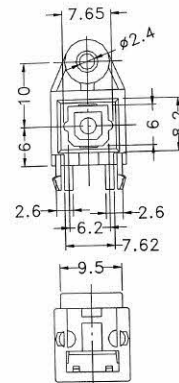
5mm 3 lead



35-LEK503

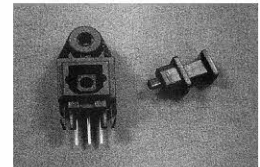


35-LEK503



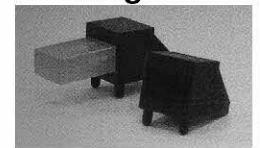
35-PLT130T

Photo TR Holder



35-PLT130T

Rectangular



35-LEK518

Light Pipes

- ★ For SMD applications - ESD protection.

Vertical VLP
Series
Elevations
3.8 to 19mm



Horizontal BSLP1
Round Face



Horizontal BSLP2
Rectangular Face



Horizontal BSLP3 Series
Variable Centreline

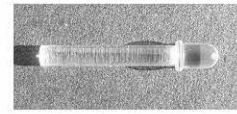


Refer to Page 53 for other light pipes.

Light pipes are ideal for applications where an automatically placed surface mount LED requires its output to a front panel. Light pipes will also protect circuits from accidental damage from ESD by isolating the PCB from potential contact.

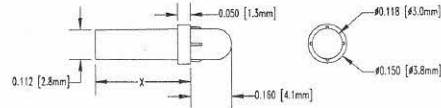
Panel Light Pipes **PLP1 Series**

- ★ Serviceability and design flexibility options
- ★ PLP Series press into a 3.0-3.12mm panel hole
- ★ Lengths range from 3.2 to 19.0 mm



Part Number Example

BPLP1 250 R XX



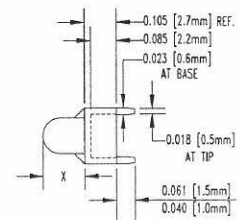
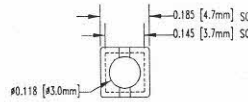
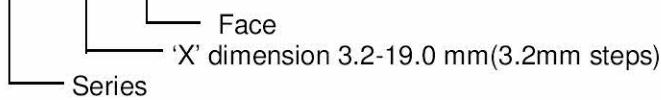
Vertical Light Pipes **VLP Series**

- ★ Protect circuits from ESD
- ★ Round or flat face options
- ★ For use with SMD series LED's



Part Number Example

BVLP 250 R



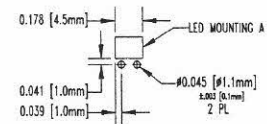
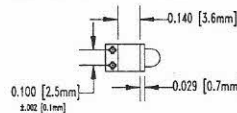
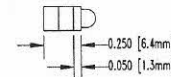
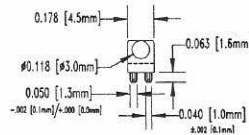
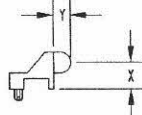
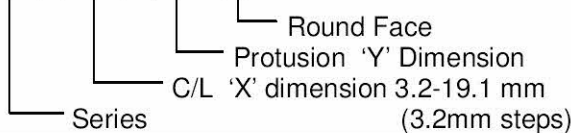
90° Light Pipes for Surface Mounts **SLP3 Series**

- ★ Centrelines 'X' from 3.8 to 19.0mm
- ★ For use with SMD series LED's
- ★ Wide viewing angles
- ★ ESD protection



Part Number Example

BSLP3 1500 100 R



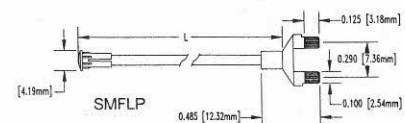
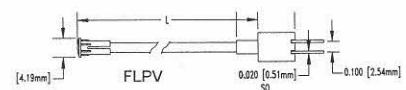
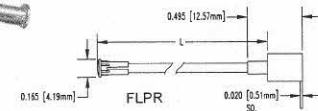
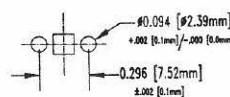
Flexible Light Pipes **FLP & SMF Series**

- ★ Ultimate in design flexibility
- ★ Highly transmissive materials
- ★ Lens cap pre-assembled with monofibre
- ★ Monofibre press fits into an adaptor on the PCB assuring tight retention and shock resistance.
- ★ Std lengths up to 48" in 3" steps.



PCB Adaptor Styles

- FLPR Right Angle Through hole LED Adaptor
- FLPV Vertical Through hole LED Adaptor
- SMFLP Adaptor compatible with all SMD LED's



For more detail call us and request a full BivarOpto Catalogue or visit internet site www.bivar.com