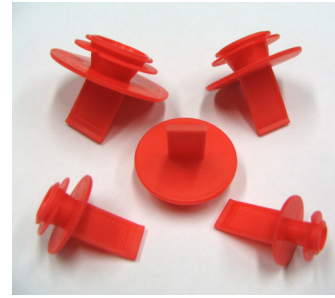


Hi-Q Components

Hi-Q Electronics Ltd, PO Box 302 015, North Harbour, Auckland, New Zealand Ph +64 9 415 3333 Fax +64 9 415 8686

Ezeplugs

- * Simple push fit
- * Fit threaded or plain ports
- * Six sizes cover over 29 popular thread sizes
- * Strong, flexible pull-tab for quick removal

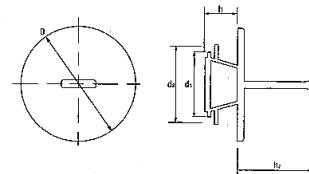


Applications

Thread protectors, Shipping protectors.
Paint Masks

Materials

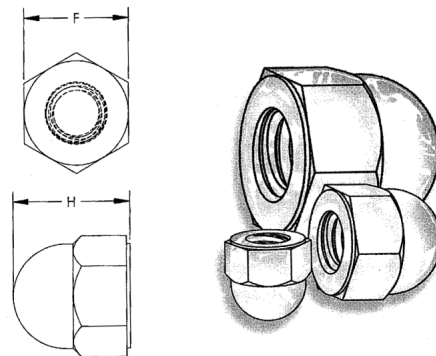
Red LDPE



Part Number	UNF	BSP	Metric	h	D	d1	d2	h2
14-PPZ10-12	7/16"	1/8"	M10/M12	9.0	19.0	9.0	13.2	21.2
14-PPZ14-16	1/2", 5/8", 9/16"	1/4"	M14/M16	7.0	22.7	9.8	16.5	21.2
14-PPZ18-20	3/4"	3/8"	M18/M20	8.0	30.0	13.0	19.5	21.4
14-PPZ22-24	7/8"	1/2", 5/8"	M22/M24	9.5	34.3	16.3	23.8	21.4
14-PPZ26-28	1-1/16", 1-1/8"	3/4"	M26/M28	9.5	40.0	19.0	27.6	21.5
14-PPZ30-36	1-1/4", 1-3/8"	1"	M30/M36	10.0	45.0	29.9	34.5	21.6

Nylon Cap Nuts

Natural Nylon 6/6, tough, durable and corrosion resistant in normal temperatures



Part Number	Description	F	H
09-PNN4C	M4 x 0.7	7.0	8.0
09-PNN5C	M5 x 0.8	8.0	10.0
09-PNN6C	M6 x 1.0	10.0	12.0
09-PNN8C	M8 x 1.25	13.0	15.0
09-PNN10C	M10 x 1.5	17.0	18.0
09-PNN12C	M12 x 1.75	18.9	20.5
09-PNN16C	M16 x 2.0	23.7	24.8
09-PNN20C	M20 x 2.5	26.7	29.1