

These plugs are designed for easy removal in those hard to reach locations

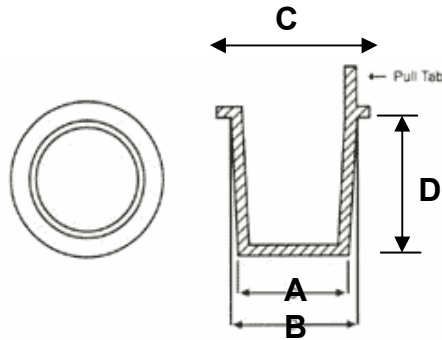
### Features

- \* Side Pull aids in removal.
- \* Ideal for NPT and Standard Threads.



### Material

Stock colour is Red.  
Standard material is low density polyethylene.  
Other materials available on request.



Part Number	Common Plug Application	A Bottom O.D.	B Top O.D.	C Flange O.D.	D Depth
14-PS09309	3/8 Std Thread	7.59	9.27	12.7	9.65
14-PS09909	1/8 NPT	8.38	10.06	13.46	9.65
14-PS11609		9.91	11.58	14.99	9.65
14-PS12409	1/2 Std Thread	10.64	12.32	16.00	9.65
14-PS13009	1/4 NPT	11.35	13.03	16.76	9.65
14-PS13812	9/16 Std Thread	11.96	13.89	17.53	11.18
14-PS15512	5/8 Std Thread	13.51	15.44	19.05	11.18
14-PS13912		13.97	16.03	19.05	11.94
14-PS15712	3/8 NPT	14.73	16.94	20.57	12.70
14-PS19012		17.15	19.18	22.35	12.70
14-PS19815	1/2 NPT	17.53	20.02	23.88	14.22
14-PS24615	3/4 NPT	22.00	24.77	28.70	16.00
14-PS26417	1-1/16 Std Thread	23.24	26.42	29.46	17.53
14-PS30819		27.79	30.86	35.81	19.05
14-PS30918	1 NPT	29.85	32.61	36.58	16.00
14-PS40618	1-1/4 NPT	36.75	40.64	44.45	22.35
14-PS47718	1-1/2" NPT	45.21	49.53	54.10	25.40