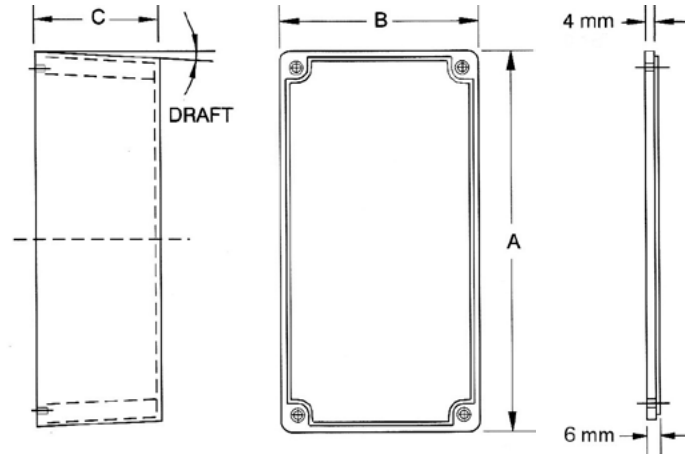


Hammond Diecast Alum. Gen. Purpose Boxes-1590

Rugged, diecast aluminium alloy . Tough yet easy to machine. Meets IP54.

- Lap joint construction provides protection against dust & splashing water and improved EMI / RFI shielding.
- Painted version is painted with tough polyester powder paint for lasting finish.
- Assembled with 6-32 x 1/2" nickel plated coloured machine screws to match the finish.
- Watertight versions available — see 1590W type



Approx Draft = 1°15' to 2°

For detailed drawings and CAD files visit www.hammondmfg.com

Part Number		Length A	Width B	Height (no lid) C	Height With Lid
Unpainted	Black				
26-1590LLB	26-1590LLBBK	50	50	21	25
26-1590LB	26-1590LBK	51	51	27	31
26-1590H	26-1590HBK	52.5	38	27	31
26-1590Y	26-1590YBK	92	92	38	42
26-1590A	26-1590ABK	93	39	27	31
26-1590G	26-1590GBK	100	50	21	25
26-1590S	26-1590SBK	111	82	40	44
26-1590B	26-1590BBK	112	60	27	31
26-1590BB	26-1590BBBK	119	94	30	34
26-1590Q	26-1590QBK	120	120	28	32
26-1590U	26-1590UBK	120	120	55	59
26-1590V	26-1590VBK	120	120	90	94
26-1590C	26-1590CBK	120	94	53	56.5
26-1590T	26-1590TBK	121	80	55	59
26-1590N1	26-1590N1BK	121.1	66	35.3	39.3
26-1590KK	26-1590KKBK	125	125	53	57
26-1590K	26-1590KBK	125	125	75	79
26-1590J	26-1590JBK	145	95	45	49
26-1590P1	26-1590P1BK	153	82	46	50
26-1590DD	26-1590DDBK	188	119.5	33	37
26-1590D	26-1590DBK	188	120	52	56
26-1590E	26-1590EBK	188	120	78	82
26-1590F	26-1590FBK	188	188	63	67
26-1590R1	26-1590R1BK	192	111	57	61