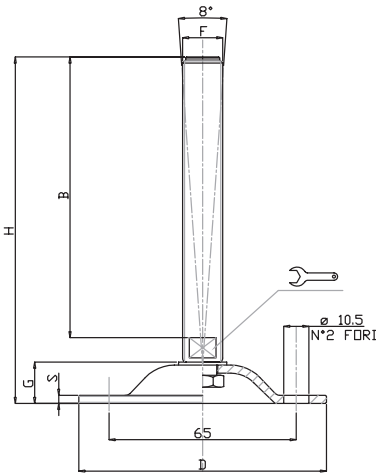


## Pressed Galvanised

### Galvanised Steel Pressed Base 85 Diameter – 8 Deg. Articulated Screw

Static load 15000 Newton • 2 fixing holes • 2 Piece part ready for assembly

Part no. Base	Part no. Screw	Screw	S	B	D	Adjust	F	G	H
11-FBGS85	11-ASS16X100	M16X100	3	100	85	13	M16	13	125
11-FBGS85	11-ASS16X150	M16X150	3	150	85	13	M16	13	175
11-FBGS85	11-ASS20X100	M20X100	3	100	85	17	M20	13	125
11-FBGS85	11-ASS20X150	M20X150	3	150	85	17	M20	13	175



### Galvanised Steel Pressed Base 124 Diameter – 8 Deg. Articulated Screw

Static load 20000 Newton • 4 fixing holes • 2 Piece part ready for assembly

Part no. Base	Part no. Screw	Screw	S	B	D	Adjust	F	G	H
11-FBGS124	11-ASS16X100	M16X100	4	100	124	17	M16	20.5	134
11-FBGS124	11-ASS16X150	M16X150	4	150	124	17	M16	20.5	184
11-FBGS124	11-ASS20X100	M20X100	4	100	124	17	M20	20.5	134
11-FBGS124	11-ASS20X150	M20X150	4	150	124	17	M20	20.5	184

