

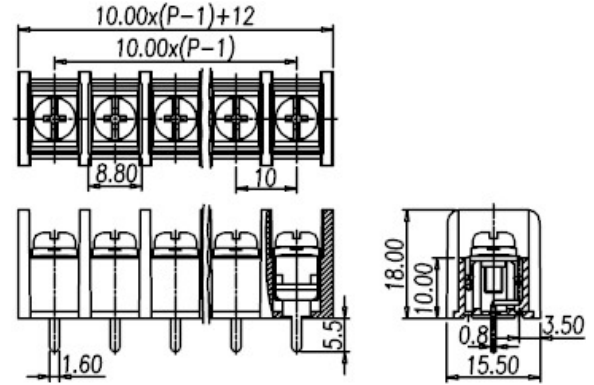
Barrier Type - DT55 Series

PCB Mount - Centre Pin • 10mm Pitch - 25A

Offset Pin also available with B06 Series

Rating : 300V / 25A . Wire size 22 ~ 12 AWG
 Insulation Breakdown Volts : 2000VAC / Min Operating Temp. Range : -40°C ~ +105°C
 Materials : Polyamid Housing, UL94VO, Black
 Pins : Brass 0.8x1.6mm tin plated
 Screw : M3.5 Steel, Nickel Plated
 Screw Torque Value : 10 Kg-cm

Part No. 32-DT55B01W-xx
 xx = No of Poles
 (2, 3, 4, 5, 6, 7, 8, 9, 10 & 12 pole)



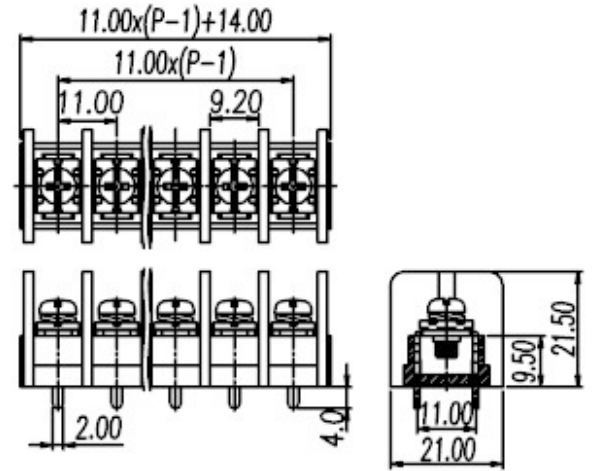
Part Number	Pitch A	Current Rating
32-DT55B01W-xx	10.0	25A

Barrier Type - DT66 Series

PCB Mount - Dual Pin • 11mm Pitch - 40A

Rating : 600V / 40A . Wire size 18 ~ 10 AWG
 Insulation Breakdown Volts : 2000VAC / Min Operating Temp. Range : -40°C ~ +130°C
 Materials : Polyester Housing, UL94VO, Black
 Pins : Brass 1x2mm x 2, tin plated
 Screw : M4 Steel, Nickel Plated
 Screw Torque Value : 18 Kg-cm

Part No. 32-DT66B01W-xx
 xx = No of Poles
 (2, 3, 4, 5, 6, 7, 8, 9, 10 & 12 pole)

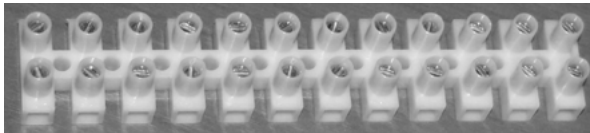


Part Number	Pitch A	Current Rating
32-DT66B01W-xx	11.0	40A

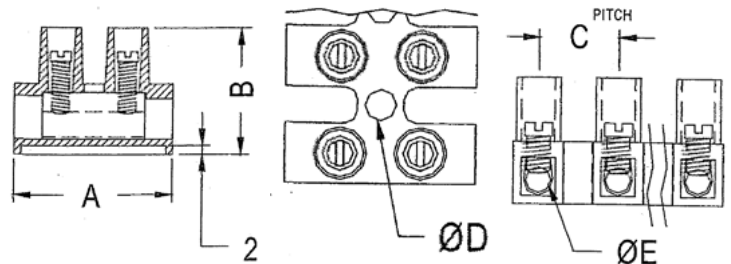
Screw Terminal Block

Wire Protector Type • 12 Way. 6 & 10Amp

Material: Nylon 66 UL94V-2
 Wire Protector and Standard types
 Wire Protector specs are:
 Voltage Rating: 380 volts
 Temperature Rating: 105° C
 Approvals: UL, VDE, CSA, F, D, N, S.



32-PA09DS/12



Part Number	Rating	Wire	A	B	C	D	E
Standard type							
32-PA09F/12	24A	2.5mm ²	20.2	16.0	10.0	3.6	5.0
Wire Protector							
32-PA07FDS/12	17.5A	1.5mm ²	17.0	13.4	8.2	2.9	2.8
32-PA09DS/12	24A	2.5mm ²	20.2	16.7	10.0	3.6	5.0
32-PA12HDS/12	41A	6.0mm ²	23.8	19.0	12.0	3.6	3.8