

## Spiral Wrap Cabling

Versatile and reusable wrapping for wiring • Protect wires from abrasion and flexing  
Spiral expands to size required

### Polyethylene Natural

Part Number	OD mm	Wall Thick mm	Bundle Range Dia.
15-KS16	15.9	1.6	15.9 - 114
15-KS25	25.4	1.7	25.4 - 177

Supplied by the metre

### UV Resistant Black Polyethylene - Suitable for outdoor use

Part Number	OD mm	Wall Thick mm	Bundle Range Dia.
15-KWB03	3.2	0.81	1.6 – 6.35
15-KWB06	6.35	0.9	4.7 – 50.8
15-KWB10	9.5	1.0	7.9 – 76
15-KWB13	12.7	1.0	9.5 – 102
15-KWB16	15.9	1.6	15.9 – 114

Supplied by the metre

### Polyethylene Fluro - Moulded in Polyethylene - Red colour

Part Number	OD mm	Wall Thick mm	Bundle Range Dia.
15-KFR10	9.5	1	7.9 – 76.2
15-KFR16	15.9	1.6	15.9 - 114
15-KFR19	19	1.6	19 - 127
15-KFR25	25.4	1.7	25.4 - 177

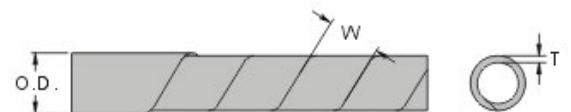
Supplied by the metre

### Polyethylene Natural & Black

Part Number	OD mm	T mm	W mm	Wrapping Range
15-KS03-10	3	0.5	4.7	1.5 - 10
15-KS06-10	4.5	0.6	6.7	4 - 25
15-KS08-10	6	0.75	12.0	6 - 30

Supplied in 10m rolls.

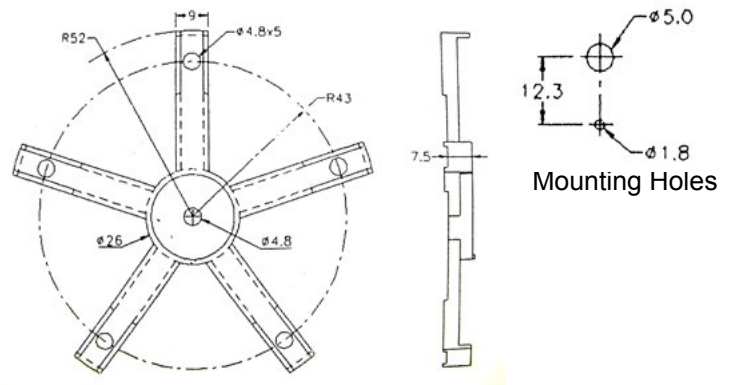
Add suffix BK for black colour. Example 15-KS03-10BK



## Fibre Optic Cable Mount

Collect and protect excess fibre optic cable lengths near to termination

Each assembly requires 5 pieces of one of the barb lock mount twist ties listed below or 18-PWS type wire saddles listed on page 71



Part Number: 20 – FCH-1